

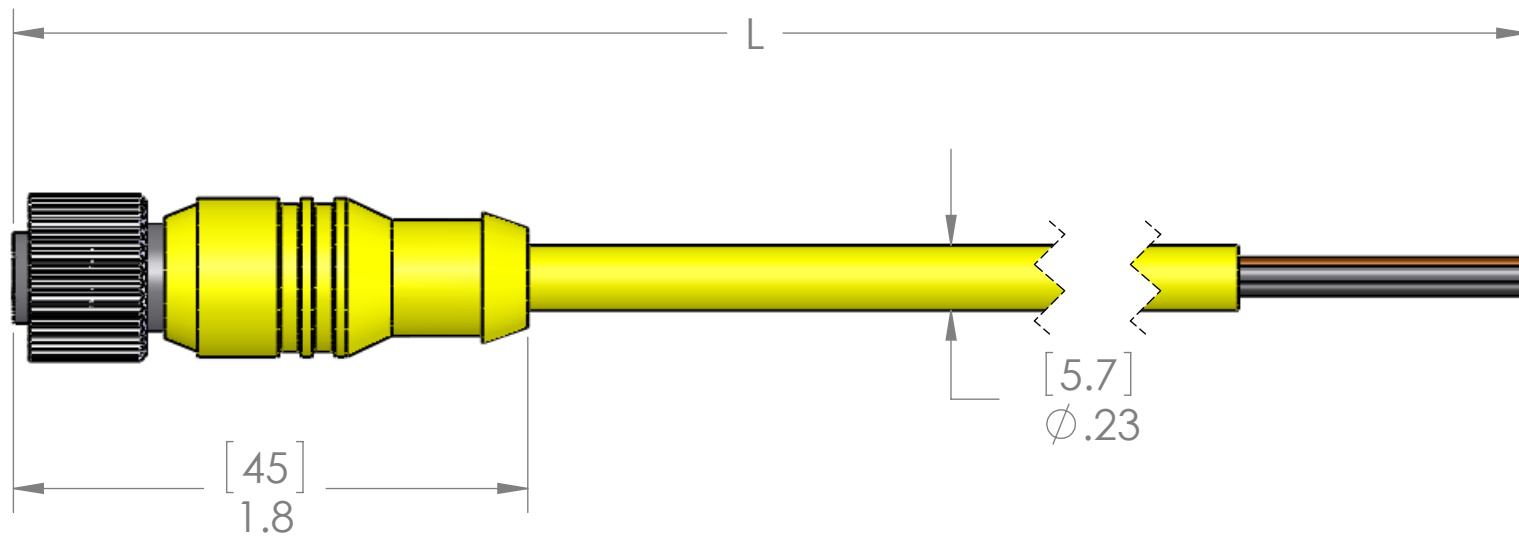
PIN #	COLOR
1	BROWN
2	WHITE
3	BLUE
4	BLACK
5	GRAY

REVISIONS		
REV.	DESCRIPTION	DATE
A	REDRAWN IN SW	7/25/2005

M12x1
Female
Thread



[15]
.6



P/N	L	STD?
MDCP-5FP-1M	40" [1m]	YES
MDCP-5FP-2M	79" [2m]	YES
MDCP-5FP-3M	118" [3m]	YES
MDCP-5FP-4M	157" [4m]	YES
MDCP-5FP-5M	197" [5m]	YES
MDCP-5FP-6M	236" [6m]	NO
MDCP-5FP-8M	315" [8m]	NO
MDCP-5FP-10M	393" [10m]	YES
MDCP-5FP-15M	591" [15m]	YES
MDCP-5FP-20M	787" [20m]	YES
MDCP-5FP-30M	1181" [30m]	NO
MDCP-5FP-50M	1968" [50m]	NO

PARTS LISTED AS NOT BEING STANDARD
MAY HAVE MINIMUM ORDER QUANTITIES

MATERIALS	
BODY:	YELLOW PUR
CONTACTS:	GOLD PLATED COPPER ALLOY
CABLE:	22/5 AWM STYLE YELLOW PUR JACKET
COUPLING:	NICKEL PLATED BRASS
INSERT:	POLYAMIDE
O-RING:	FPM

APPROVALS:	
US	UL LISTED
CANADA	C-UL LISTED

PROPRIETARY AND CONFIDENTIAL
THE INFORMATION CONTAINED IN THIS
DRAWING IS THE SOLE PROPERTY OF
MENCOM CORPORATION. ANY
REPRODUCTION IN PART OR AS A WHOLE
WITHOUT THE WRITTEN PERMISSION OF
MENCOM CORPORATION IS
PROHIBITED.

VOLTS	300V
AMPS	4A
TEMP	80°C

SPECIFICATIONS

UNLESS OTHERWISE SPECIFIED:	
DIMENSIONS ARE IN INCHES AND [MM]	
MATERIAL	
FINISH	
DO NOT SCALE DRAWING	

NAME	
DRAWN	DWM
CHECKED	
ENG APPR.	
MFG APPR.	
Q.A.	
COMMENTS:	

MENCOM CORPORATION		
TITLE: 5 PL MDC FEM PLG 22AWG		
SIZE B	DWG. NO. MDCP-5FP-ZZ	REV A
SCALE: 3:2	WEIGHT:	SHEET 1 OF 1