

MDE45	COLOR	RJ45
PIN #		PIN #
1	WHITE w/ORANGE	1
2	WHITE w/GREEN	3
3	ORANGE	2
4	GREEN	6

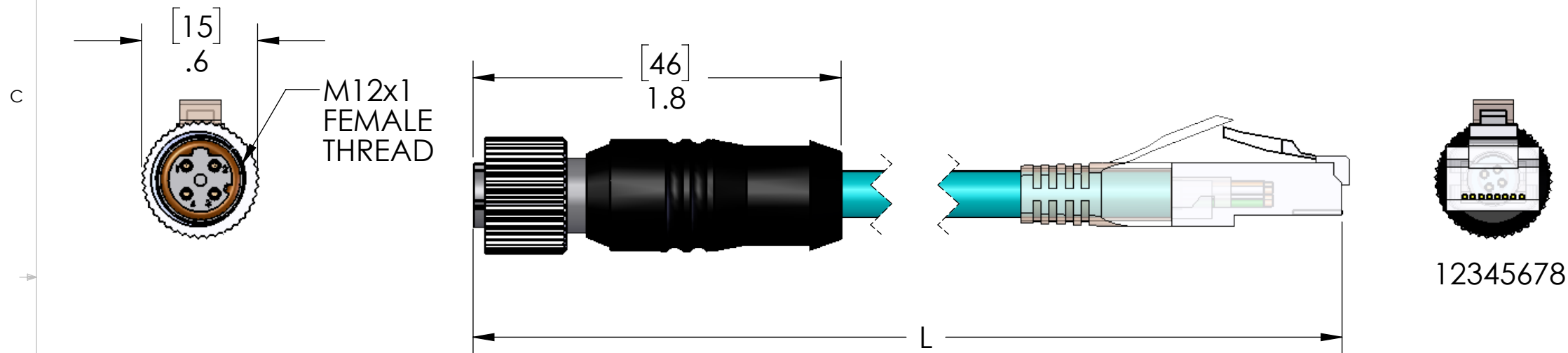


TABLE A	
P/N	L
MDE45-4FP-RJ45-0.5M	20" [0.5m]
MDE45-4FP-RJ45-1M	40" [1m]
MDE45-4FP-RJ45-1.5M	59" [1.5m]
MDE45-4FP-RJ45-2M	79" [2m]
MDE45-4FP-RJ45-3M	118" [3m]
MDE45-4FP-RJ45-4M	157" [4m]
MDE45-4FP-RJ45-5M	197" [5m]
MDE45-4FP-RJ45-6M	236" [6m]
MDE45-4FP-RJ45-8M	315" [8m]
MDE45-4FP-RJ45-10M	393" [10m]
MDE45-4FP-RJ45-15M	590" [15m]
MDE45-4FP-RJ45-20M	786" [20m]

<b>MATERIALS:</b>	
<b>BODY:</b>	BLACK PVC
<b>COUPLING:</b>	NICKEL PLATED BRASS
<b>INSERT:</b>	POLYAMIDE
<b>CONTACTS:</b>	GOLD PLATED COPPER ALLOY
<b>CABLE:</b>	2 PR 24AWG CAT 5 PVC JACKET
<b>O-RING</b>	FPM

<b>APPROVALS:</b>	
<b>US:</b>	UL LISTED
<b>CANADA:</b>	C-UL LISTED

**PROPRIETARY AND CONFIDENTIAL**  
 THE INFORMATION CONTAINED IN THIS DRAWING IS THE SOLE PROPERTY OF MENCOM CORPORATION. ANY REPRODUCTION IN PART OR AS A WHOLE WITHOUT THE WRITTEN PERMISSION OF MENCOM CORPORATION IS PROHIBITED.

<b>VOLTS</b>	42VDC
<b>AMPS</b>	1.5A
<b>TEMP:</b>	80°C

UNLESS OTHERWISE SPECIFIED:	DRAWN BY	JJH
DIMENSIONS ARE IN INCHES AND [MM]	DRAWN DATE	12/03/2018
	CHECKED BY	GO
	CHECK DATE	12/06/2018
MATERIAL	COMMENTS:	
FINISH		
DO NOT SCALE DRAWING		

MENCOM CORPORATION		
TITLE: 4 PL MDE45 TO RJ45 BK MT		
SIZE	DWG. NO.	REV
<b>B</b>	MDE45-4FP-RJ45-ZZ	<b>B</b>
SCALE: 3:2	WEIGHT:	SHEET 1 OF 1