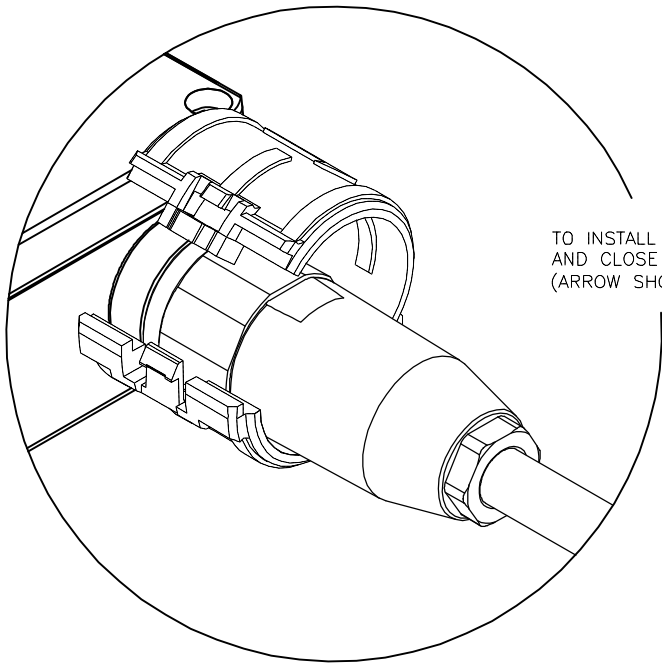


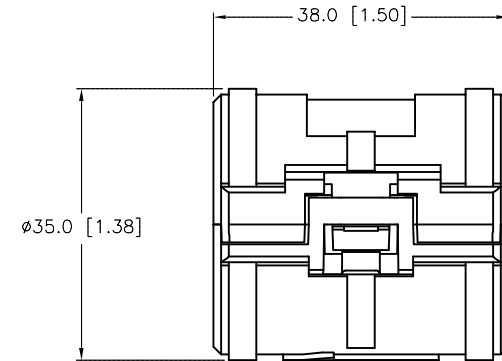
SPECIFICATIONS

HOUSING MATERIAL/COLOR

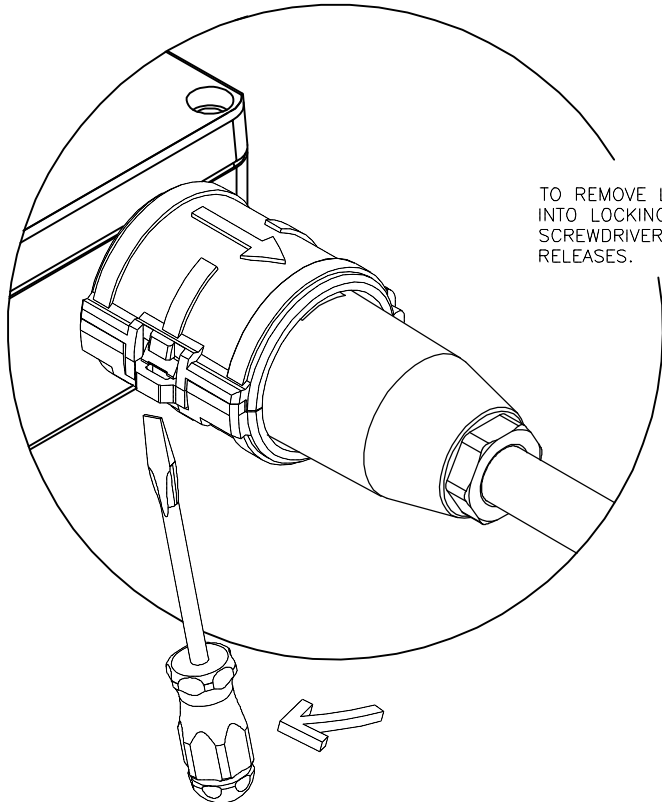
NYLON 66/BLACK



TO INSTALL LOCKOUT DEVICE, PLACE AROUND CORDSET END AND CLOSE UNTIL CONNECTOR SNAPS CLOSED. (ARROW SHOULD POINT TOWARDS THE CABLE)



LOCKOUT DEVICE FITS A-SIZE (7/8") MINIFAST STRAIGHT TURCK FIELD WIREABLE CONNECTORS



TO REMOVE LOCKOUT DEVICE, INSERT SMALL SCREWDRIVER INTO LOCKING GROOVE AS SHOWN IN PICTURE. ROTATE SCREWDRIVER IN DIRECTION SHOWN UNTIL LOCKING DEVICE RELEASES.

SOURCE DRAWING - FOR REFERENCE ONLY

RELATED DOCUMENTS		3RD ANGLE PROJECTION		THIS DRAWING IS CONFIDENTIAL AND THE PROPERTY OF TURCK INC. USE OF THIS DOCUMENT WITHOUT WRITTEN PERMISSION IS PROHIBITED.		3000 CAMPUS DRIVE MINNEAPOLIS, MN 55441 1-800-544-7769 (763) 553-7300 (763) 553-0708 fax www.turck.us	
1. 2. 3. 4.				DRFT RDS APVD		DATE 12/29/04 SCALE 1=1.0	
MATERIAL		ALL DIMENSIONS DISPLAYED ON THIS DRAWING ARE FOR REFERENCE ONLY		UNIT OF MEASUREMENT		DESCRIPTION	
FINISH		CONTACT TURCK FOR MORE INFORMATION		MILLIMETERS		LOCK-MINI-FW	
C UPDATE MINIFAST SIZE TO BE USED ON		RDS 03/05/18 64508		DO NOT SCALE THIS DRAWING		IDENTIFICATION NO. A0882	
REV DESCRIPTION		BY DATE ECO NO.		FILE: A0882		REV C	

C	UPDATE MINIFAST SIZE TO BE USED ON	RDS	03/05/18	64508
REV	DESCRIPTION	BY	DATE	ECO NO.