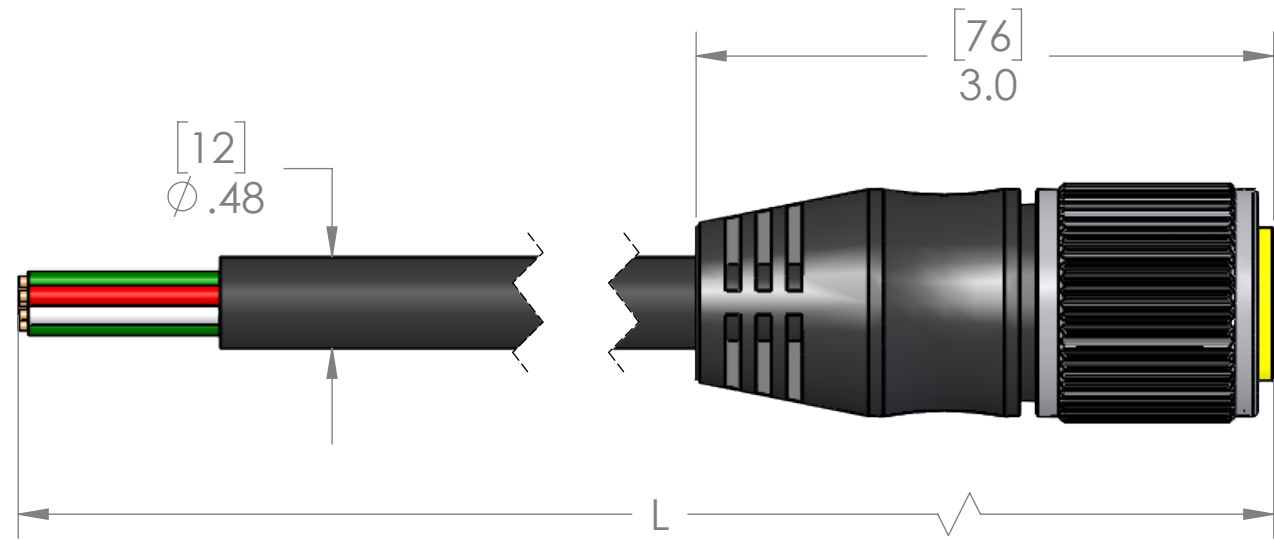


PIN #	COLOR
1	ORANGE
2	BLUE
3	RED W/BLK
4	GREEN W/BLK
5	WHITE
6	RED
7	GREEN/YELLOW
8	WHITE W/BLK
9	BLACK



1.125" 16UN2B
FEMALE
THREAD

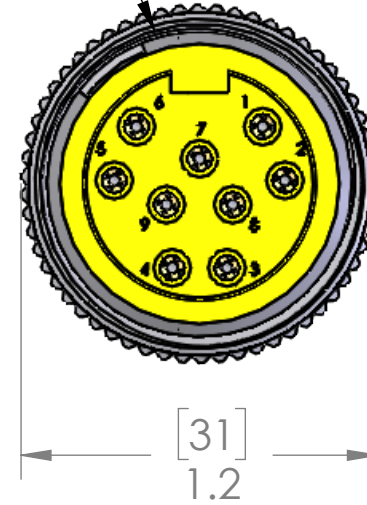


TABLE A		
P/N	L	STD?
MIN-9FP-3-C011	36" [0.9m]	YES
MIN-9FP-6-C011	72" [1.8m]	YES
MIN-9FP-12-C011	144" [3.6m]	YES
MIN-9FP-20-C011	240" [6.1m]	YES
MIN-9FP-30-C011	360" [9.1m]	YES
MIN-9FP-40-C011	480" [12.2m]	NO
MIN-9FP-50-C011	600" [15.2m]	YES
MIN-9FP-60-C011	720" [18.3m]	NO
MIN-9FP-100-C011	1200" [30.5m]	NO

PARTS LISTED AS NOT BEING STANDARD
MAY HAVE MINIMUM ORDER QUANTITIES

MATERIALS	
BODY:	BLACK PVC
INSERT:	YELLOW PVC
CONTACTS:	GOLD PLATED COPPER ALLOY
CABLE:	16/9 TC-ER BLACK PVC
COUPLING:	NICKEL PLATED BRASS

CERTIFICATIONS:	
US:	UL LISTED
CANADA:	C-UL LISTED
RoHS:	YES
CE:	YES

PROPRIETARY AND CONFIDENTIAL
THE INFORMATION CONTAINED IN THIS
DRAWING IS THE SOLE PROPERTY OF
MENCOM CORPORATION. ANY
REPRODUCTION IN PART OR AS A WHOLE
WITHOUT THE WRITTEN PERMISSION OF
MENCOM CORPORATION IS
PROHIBITED.

VOLTS	600V
AMPS	7A
TEMP:	105°C

UNLESS OTHERWISE SPECIFIED:	DRAWN BY	JJH
DIMENSIONS ARE IN INCHES AND [MM]	DRAWN DATE	11/19/2019
	CHECKED BY	ADM
	CHECK DATE	06/27/2019
MATERIAL	COMMENTS:	
FINISH		
DO NOT SCALE DRAWING		

MENCOM CORPORATION		
TITLE: 9 PL MIN FEM PLUG TC-ER		
SIZE	DWG. NO.	REV
B	MIN-9FP-ZZ-C011	A
SCALE: 1:2	WEIGHT:	SHEET 1 OF 1