

PIN #	COLOR
1	ORANGE
2	BLUE
3	RED W/BLK
4	GREEN W/BLK
5	WHITE
6	RED
7	GREEN/YELLOW
8	WHITE W/BLK
9	BLACK

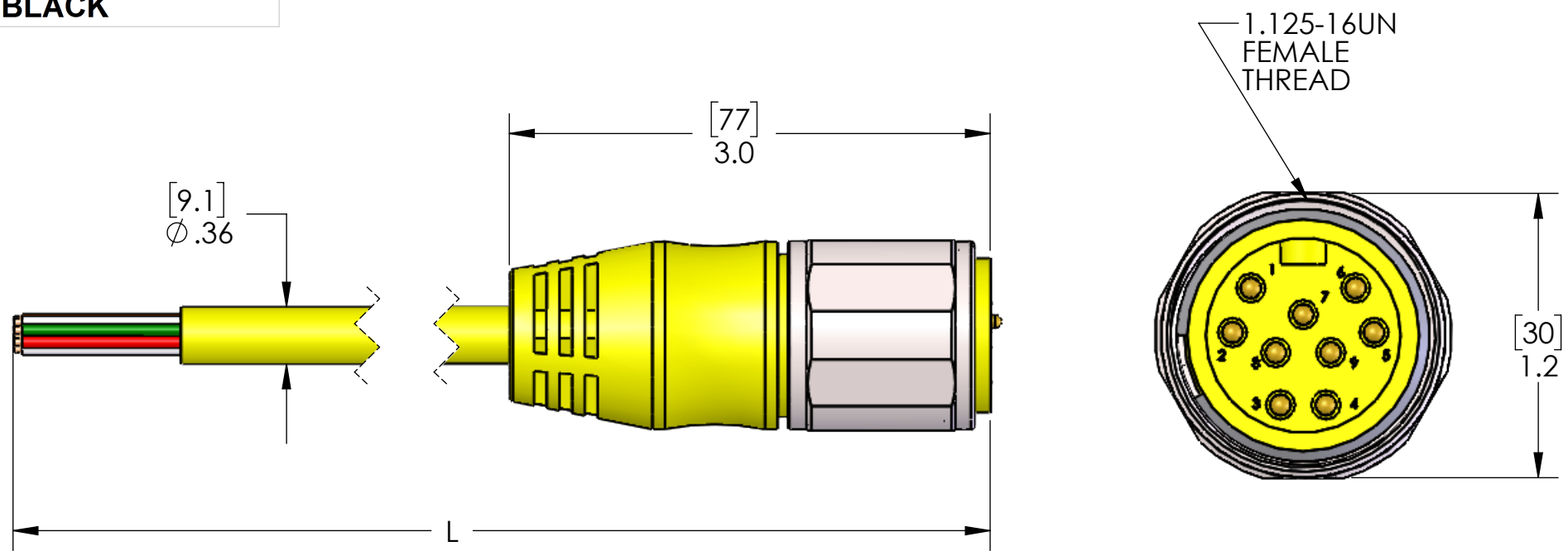


TABLE A		
P/N	L	STD?
MIN-9MPX-3	36" [0.9m]	YES
MIN-9MPX-6	72" [1.8m]	YES
MIN-9MPX-12	144" [3.6m]	YES
MIN-9MPX-20	240" [6.1m]	YES
MIN-9MPX-30	360" [9.1m]	YES
MIN-9MPX-40	480" [12.2m]	NO
MIN-9MPX-50	600" [15.2m]	YES
MIN-9MPX-60	720" [18.3m]	NO
MIN-9MPX-100	1200" [30.5m]	NO

PARTS LISTED AS NOT BEING STANDARD
MAY HAVE MINIMUM ORDER QUANTITIES

MATERIALS	
BODY:	YELLOW PVC
CONTACTS:	GOLD PLATED COPPER ALLOY
CABLE:	18/9 AMW STYLE YELLOW PVC JKT
COUPLING:	STAINLESS STEEL

APPROVALS:	
US	UL LISTED
CANADA	C-UL LISTED

PROPRIETARY AND CONFIDENTIAL
THE INFORMATION CONTAINED IN THIS DRAWING IS THE SOLE PROPERTY OF MENCOM CORPORATION. ANY REPRODUCTION IN PART OR AS A WHOLE WITHOUT THE WRITTEN PERMISSION OF MENCOM CORPORATION IS PROHIBITED.

VOLTS	300V
AMPS	4A
TEMP:	105°C

UNLESS OTHERWISE SPECIFIED:	DRAWN BY	ADM
DIMENSIONS ARE IN INCHES AND [MM]	DRAWN DATE	01/04/2019
	CHECKED BY	ADM
	CHECK DATE	01/04/2019
	COMMENTS:	
MATERIAL		
FINISH		
DO NOT SCALE DRAWING		

MENCOM CORPORATION		
TITLE:		
SIZE	DWG. NO.	REV
B	MIN-9MPX-ZZ-SS	B
SCALE: 1:1	WEIGHT:	SHEET 1 OF 1