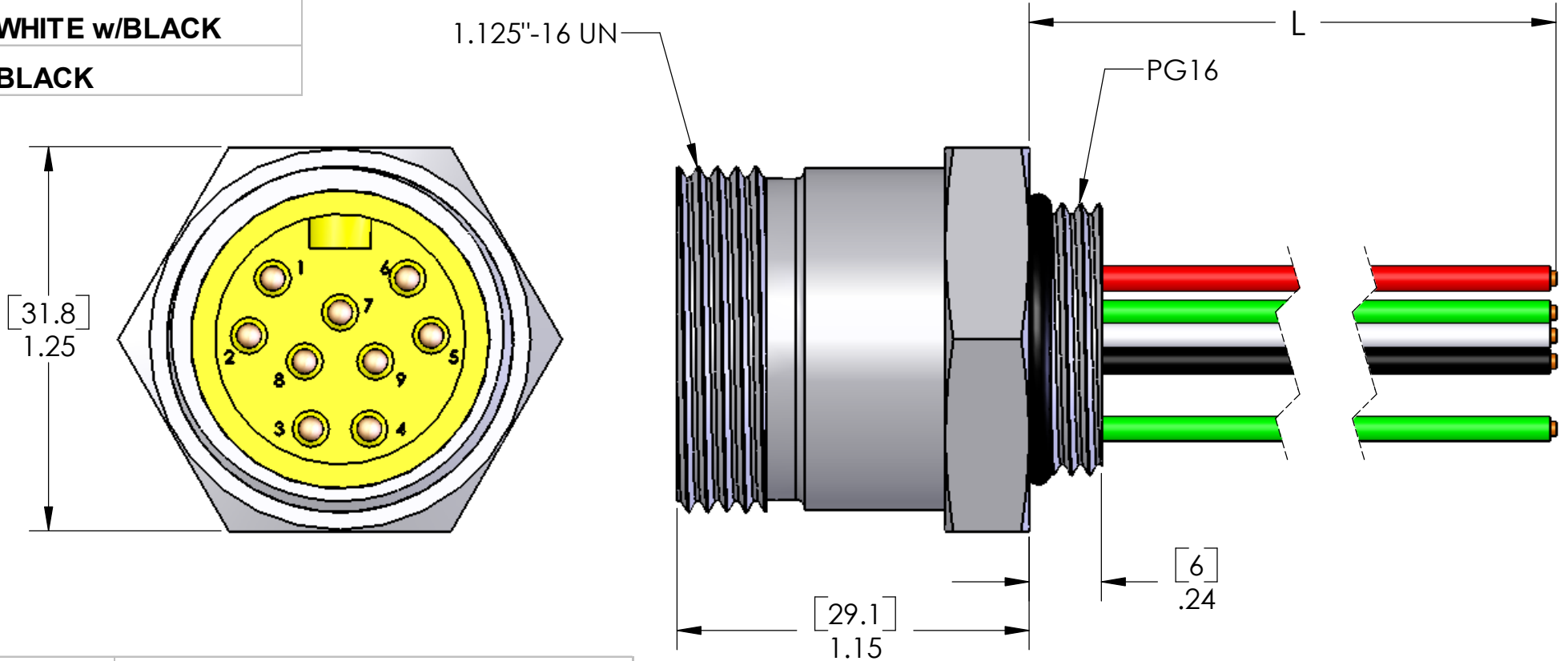


PIN #	COLOR
1	ORANGE
2	BLUE
3	RED w/BLACK
4	GREEN w/BLACK
5	WHITE
6	RED
7	GREEN / YELLOW
8	WHITE w/BLACK
9	BLACK

REVISIONS			
REV.	DESCRIPTION	DATE	APPROVED
A	INITIAL RELEASE	8/3/2005	



P/N	L	STD?
MIN-9MR-.5-18-PG16	6"	NO
MIN-9MR-1-18-PG16	12"	YES
MIN-9MR-2-18-PG16	24"	NO
MIN-9MR-3-18-PG16	36"	YES
MIN-9MR-4-18-PG16	48"	NO
MIN-9MR-6-18-PG16	72"	YES
MIN-9MR-10-18-PG16	120"	NO
MIN-9MR-12-18-PG16	144"	NO
MIN-9MR-15-18-PG16	180"	NO
MIN-9MR-20-18-PG16	240"	NO

PARTS LISTED AS NOT BEING STANDARD
MAY REQUIRE MINIMUM ORDERS

MATERIALS	
BODY:	CLEAR ANODIZED ALUMINUM
CONTACTS:	GOLD PLATED COPPER ALLOY
INSERT:	YELLOW PVC
WIRE:	18AWG UL1007

APPROVALS	
U.S.	UL RECOGNIZED
CANADA	C-UL RECOGNIZED

PROPRIETARY AND CONFIDENTIAL
THE INFORMATION CONTAINED IN THIS DRAWING IS THE SOLE PROPERTY OF MENCOM CORPORATION. ANY REPRODUCTION IN PART OR AS A WHOLE WITHOUT THE WRITTEN PERMISSION OF MENCOM CORPORATION IS PROHIBITED.

VOLTS	300V
AMPS	4A
TEMP	105°C
SPECIFICATIONS	

UNLESS OTHERWISE SPECIFIED:
DIMENSIONS ARE IN INCHES AND [MM]
MATERIAL
FINISH
DO NOT SCALE DRAWING

NAME	MENCOM CORPORATION	
DRAWN	DWM	TITLE:
CHECKED		
ENG APPR.		
MFG APPR.		
Q.A.		
COMMENTS:		
SIZE	DWG. NO.	REV
B	MIN-9MR-ZZ-18-PG16	A
SCALE: 2:1	WEIGHT:	SHEET 1 OF 1