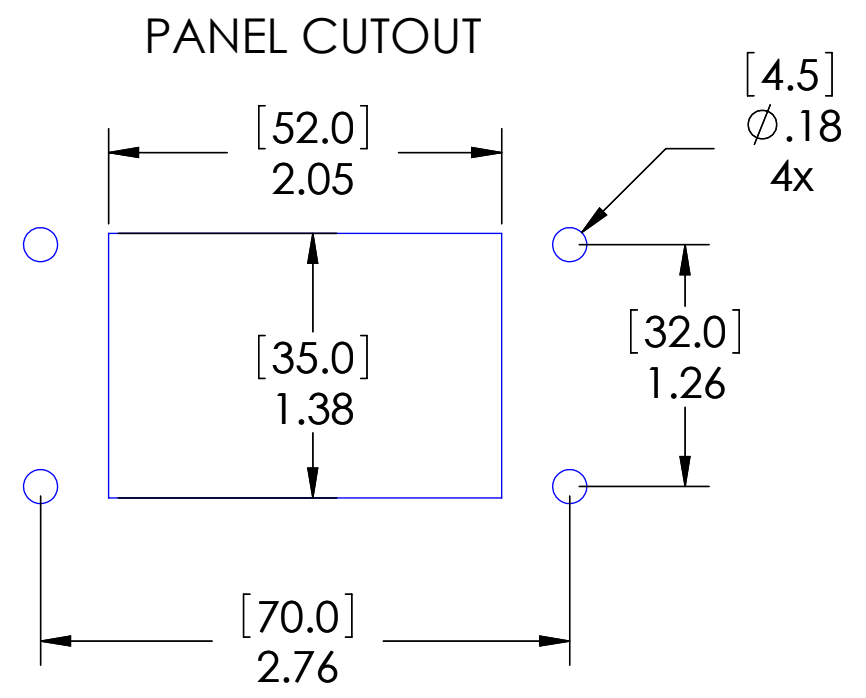
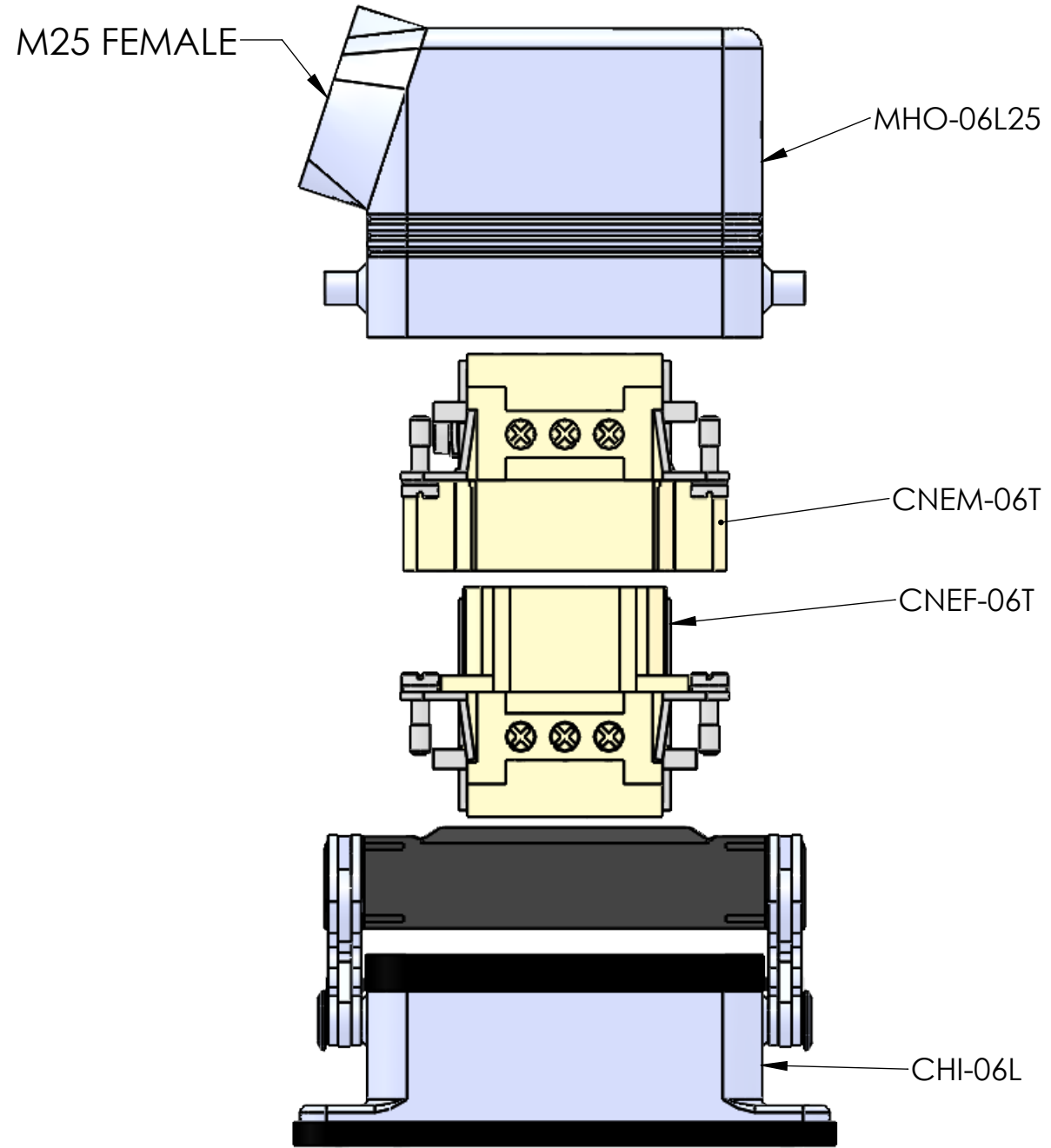


Recommended cable gland for M25 opening (ordered separately):  
 Plastic (gray polyamide): PCGU-M25 (for 8 - 17mm dia. cables)  
 Metal (Nickel Plated Brass): MCG-M25 (for 8 - 16mm dia. cables)

Revisions			
REV.	DESCRIPTION	DATE	DRAWN BY
A	RELEASED	11/16/2020	DCG



Certifications	
(under individual component part numbers)	
US:	UL Recognized
Canada:	C-UL Recognized
Europe:	CE

MATERIALS	
BODY:	EPOXY COATED DIE CAST ALUMINUM
GASKET:	THERMOPLASTIC ELASTOMER
HANDLE:	POLYAMIDE
LEVERS:	STAINLESS STEEL
INSERTS:	GLASS REINFORCED THERMOPLASTIC
CONTACTS:	SILVER PLATED COPPER ALLOY

Environmental Ratings:	UNLESS OTHERWISE SPECIFIED:	DRAWN BY	DCG
	NEMA / UL: 4, 4X, 12	DIMENSIONS ARE IN INCHES AND [MM]	
		DRAWN DATE	11/17/2020
		CHECKED BY	ADM
		CHECK DATE	11/17/2020
		COMMENTS:	
		MATERIAL	
		FINISH	
		DO NOT SCALE DRAWING	

MENCOM CORPORATION			
TITLE: ILME KIT			
SIZE	DWG. NO.	REV	
<b>B</b>	MNLS-06IO25	<b>A</b>	
SCALE: 1:1	WEIGHT:	SHEET 1 OF 1	

**PROPRIETARY AND CONFIDENTIAL**  
 THE INFORMATION CONTAINED IN THIS DRAWING IS THE SOLE PROPERTY OF MENCOM CORPORATION. ANY REPRODUCTION IN PART OR AS A WHOLE WITHOUT THE WRITTEN PERMISSION OF MENCOM CORPORATION IS PROHIBITED.