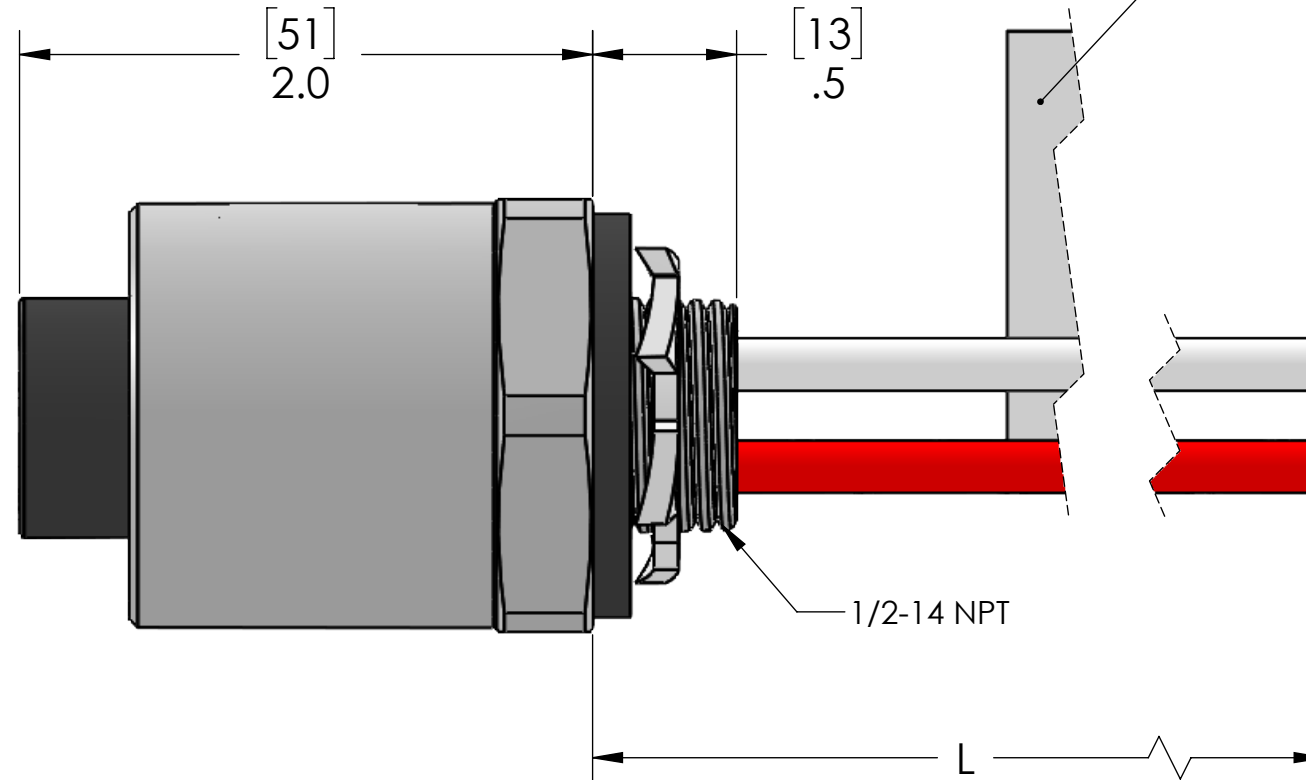
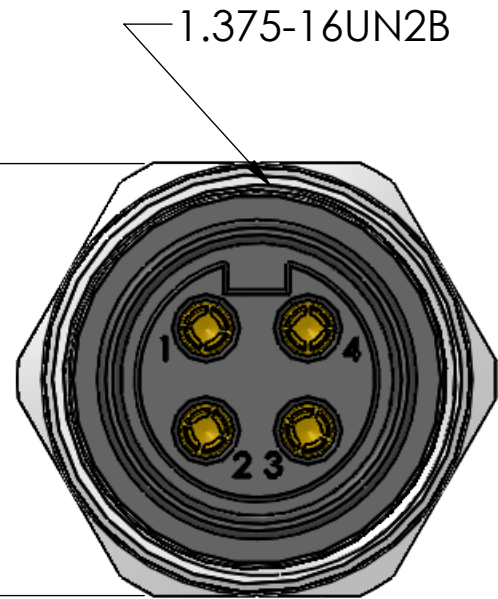


PIN #	COLOR
1	BLACK
2	GREEN/YELLOW
3	RED
4	WHITE



P/N	L
PMIN-40FR-0.3M	12" [0.3m]
PMIN-40FR-0.5M	20" [0.5m]
PMIN-40FR-1M	40" [1m]
PMIN-40FR-2M	79" [2m]
PMIN-40FR-3M	117" [3m]
PMIN-40FR-4M	157" [4m]
PMIN-40FR-5M	197" [5m]
PMIN-40FR-6M	236" [6m]
PMIN-40FR-8M	315" [8m]
PMIN-40FR-10M	393" [10m]

MATERIALS	
BODY:	NICKEL PLATED BRASS
CONTACTS:	GOLD PLATED COPPER ALLOY
INSERT:	BLACK PVC
WIRE:	10AWG UL1015
JAM NUT:	ZINC PLATED STEEL
GASKET:	TPE

RATINGS:	
SCCR RATING:	65kA Breakers and Fuses
RoHS COMPLIANT:	Yes
PROTECTION:	IP67
UL CATEGORY:	PVVA (US), PVVA7 (Canada)
U.S.	UL 2237 LISTED, File E469485
CANADA	C-UL 2237 LISTED, File E469485

CAUTION:
RISK OF ELECTRICAL SHOCK
DO NOT DISCONNECT UNDER LOAD

PROPRIETARY AND CONFIDENTIAL
 THE INFORMATION CONTAINED IN THIS DRAWING IS THE SOLE PROPERTY OF MENCOM CORPORATION. ANY REPRODUCTION IN PART OR AS A WHOLE WITHOUT THE WRITTEN PERMISSION OF MENCOM CORPORATION IS PROHIBITED.

VOLTS	600V
AMPS	30A
TEMP:	-40°C - 90°C

UNLESS OTHERWISE SPECIFIED:	DRAWN BY	JJH
DIMENSIONS ARE IN INCHES AND [MM]	DRAWN DATE	06/22/2020
	CHECKED BY	GO
	CHECK DATE	06/23/2020
MATERIAL	COMMENTS:	
FINISH		
DO NOT SCALE DRAWING		

OTHER LENGTHS AVAILABLE
CONSULT FACTORY

MENCOM CORPORATION		
TITLE: 4 PL FEM PMIN RCP 1/2 NPT		
SIZE	DWG. NO.	REV
B	PMIN-40FR-ZZ	C
SCALE: 3:2	WEIGHT:	SHEET 1 OF 1