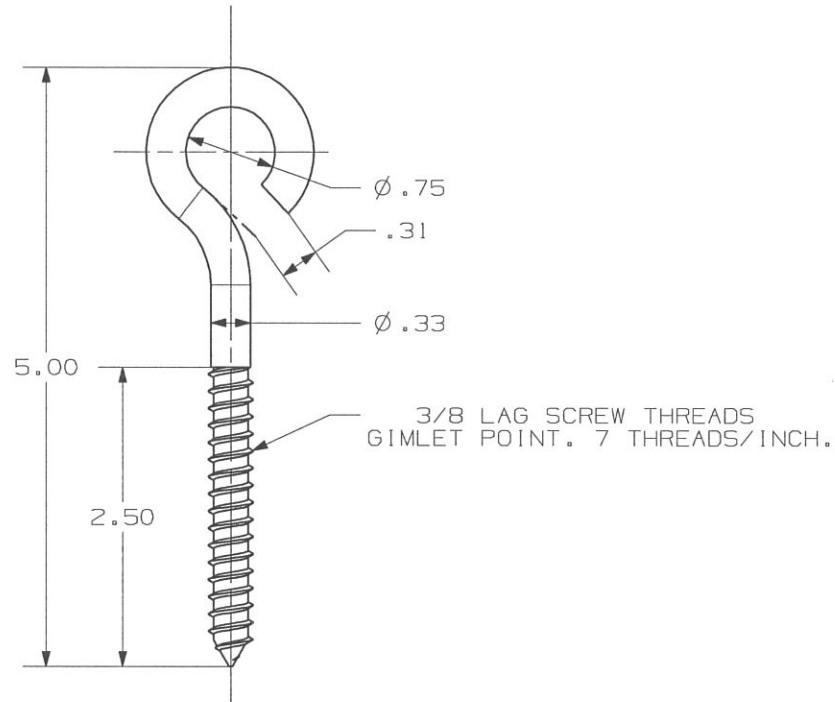


- NOTES-
1. MATERIAL: COLD DRAWN STEEL
  2. FINISH: GALVANIZED



CATALOG NUMBER : 8777

LATEST EC NO:		REV.	DATE	CHANGED BY	RESP ENGINEER
---		-	-----	---	---
				DO NOT SCALE THIS DWG	THIRD ANGLE PROJECTION
				ISO DUAL DIMENSIONS IN=INCH, MM=MILLIMETER	
DRN BY:	DATE	TITLE:			SIZE
BERGER	10-12-12	EYE SCREW			D
				DWG NO: SAC8777	

CONFIDENTIAL: THIS DRAWING AND ITS CONTENTS ARE CONFIDENTIAL AND THE EXCLUSIVE PROPERTY OF HUBBELL POWER SYSTEMS, INC. NO PUBLICATION, DISTRIBUTION OR COPIES MAY BE MADE WITHOUT WRITTEN CONSENT BY HUBBELL POWER SYSTEMS, INC. © 2012 HUBBELL POWER SYSTEMS. UNPUBLISHED. ALL RIGHTS RESERVED UNDER THE COPYRIGHT LAWS