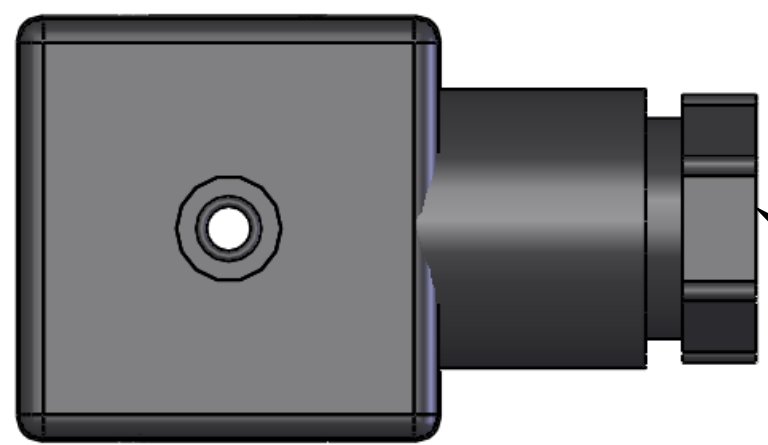
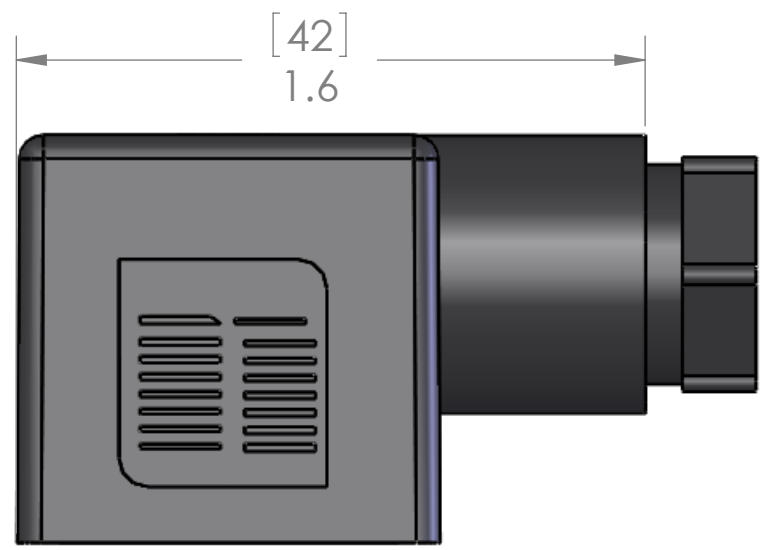
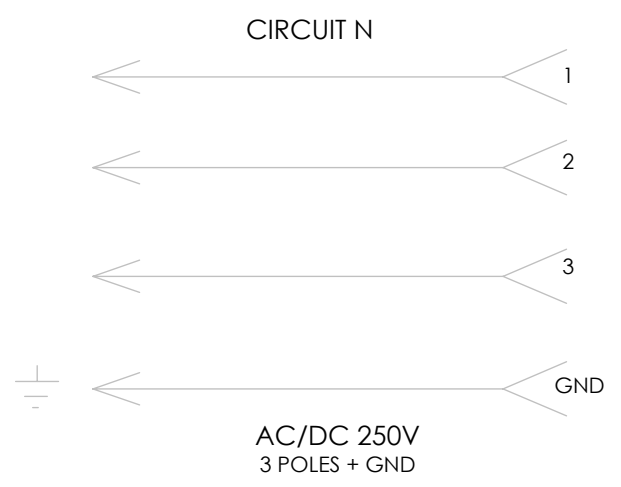


REVISIONS			
REV.	DESCRIPTION	DATE	APPROVED
A	REDRAWIN IN SW	5/12/2015	

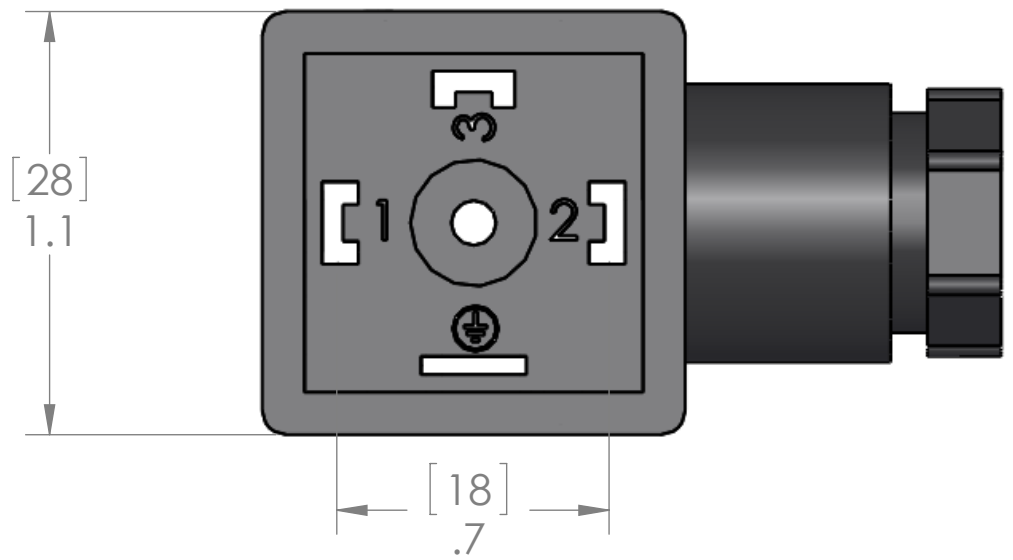


PG9 - FOR 6 TO 8 MM DIA. CABLES



MATERIALS:	
COLOR:	BLACK
BODY:	POLYAMIDE
CONTACT:	COPPER ALLOY SILVER PLATED
GASKET:	THERMOPLASTIC
SCREW:	STEEL ZINC PLATE
TEMP:	-40°C TO +125°C
PROTECTION:	IP65

NOTE: FORMED GASKET AND SCREW INCLUDED WITH PART BUT NOT SHOWN ON PRINT FOR CLARITY



PROPRIETARY AND CONFIDENTIAL
 THE INFORMATION CONTAINED IN THIS DRAWING IS THE SOLE PROPERTY OF MENCOM CORPORATION. ANY REPRODUCTION IN PART OR AS A WHOLE WITHOUT THE WRITTEN PERMISSION OF MENCOM CORPORATION IS PROHIBITED.

UNLESS OTHERWISE SPECIFIED:	
DIMENSIONS ARE IN INCHES & [MM]	
MATERIAL	
FINISH	
DO NOT SCALE DRAWING	

NAME		MENCOM CORPORATION	
DRAWN	BEM	TITLE:	
CHECKED			
ENG APPR.			
MFG APPR.			
Q.A.			
COMMENTS:		SIZE	DWG. NO.
		B	VAN-039-50
		SCALE: 2:1	WEIGHT:
			REV A
		SHEET 1 OF 1	