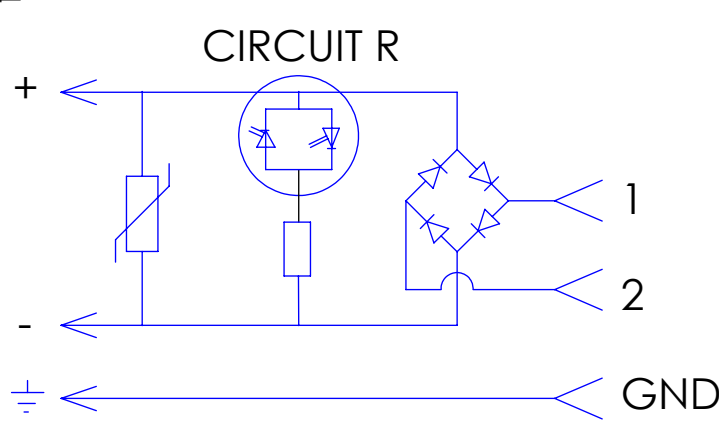
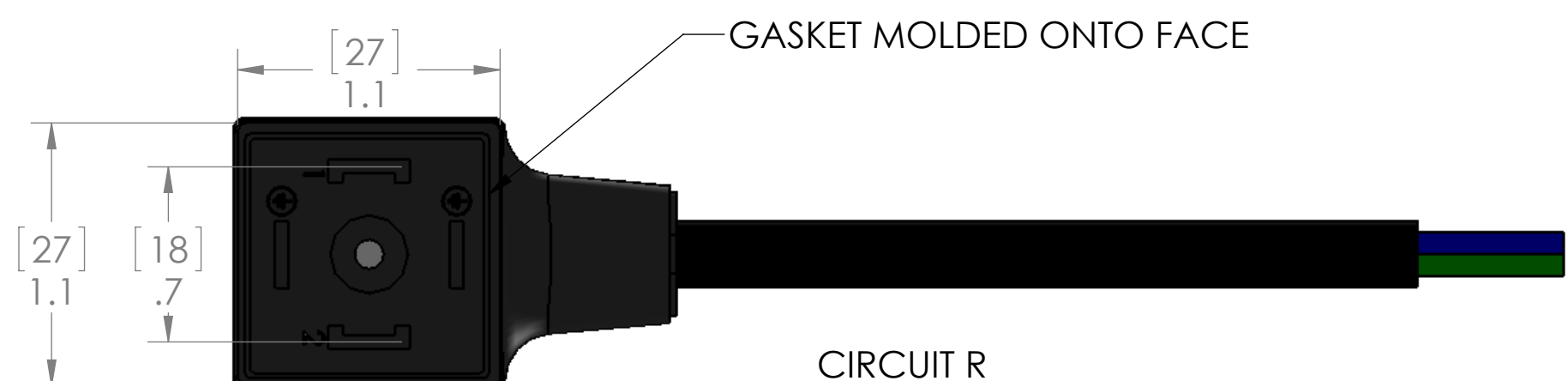
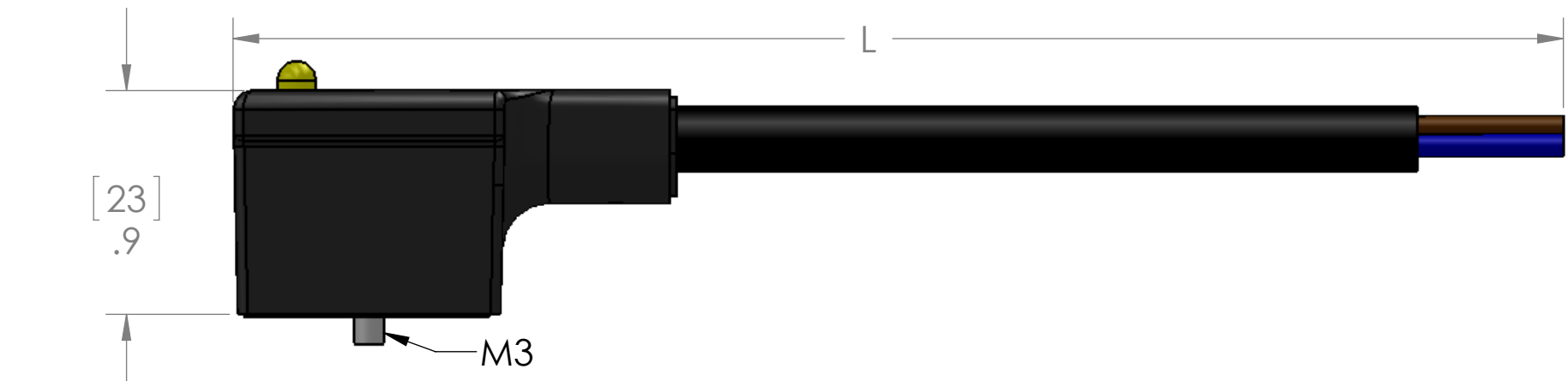


PIN #	COLOR
1	BROWN
2	BLUE
GND	GREEN / YELLOW

REVISIONS			
REV.	DESCRIPTION	DATE	APPROVED
A	REDRAWN IN SW	3/18/2014	JJH



LED W/ MOV & BRD RECT

TABLE A		
P/N	L	STD?
VAR-120-00	39" [1M]	NO
VAR-220-00	79" [2M]	YES
VAR-320-00	118" [3M]	NO
VAR-420-00	157" [4M]	NO
VAR-520-00	197" [5M]	YES
VAR-620-00	236" [6M]	NO
VAR-A20-00	393" [10M]	YES

PARTS LISTED AS NOT BEING STANDARD MAY REQUIRE MINIMUM ORDERS

MATERIALS	
BODY:	TPE
CONTACTS:	SILVER PLATED COPPER ALLOY
CABLE:	BLACK 18/3 OIL RESISTANT
SCREW:	ZINC PLATED STEEL

PROPRIETARY AND CONFIDENTIAL
 THE INFORMATION CONTAINED IN THIS DRAWING IS THE SOLE PROPERTY OF MENCOM CORPORATION. ANY REPRODUCTION IN PART OR AS A WHOLE WITHOUT THE WRITTEN PERMISSION OF MENCOM CORPORATION IS PROHIBITED.

VOLTS	120V
AMPS	10A
SPECIFICATIONS	

UNLESS OTHERWISE SPECIFIED:
 DIMENSIONS ARE IN METERS AND MILLIMETERS
 MATERIAL
 FINISH
 DO NOT SCALE DRAWING

NAME	RSC
DRAWN	
CHECKED	
ENG APPR.	
MFG APPR.	
Q.A.	
COMMENTS:	

MENCOM CORPORATION		
TITLE: DIN A LED W/BRD RECT & MOV		
SIZE B	DWG. NO. VAR-ZZ20-00	REV A
SCALE: 3:2	WEIGHT:	SHEET 1 OF 1