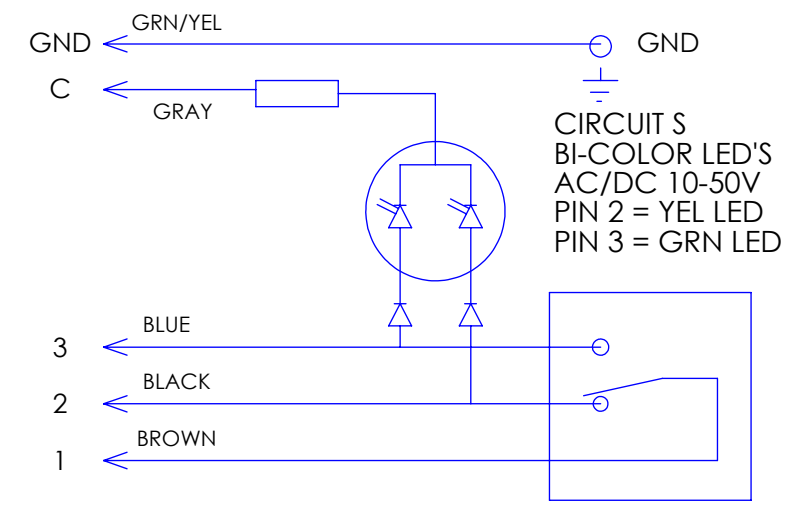
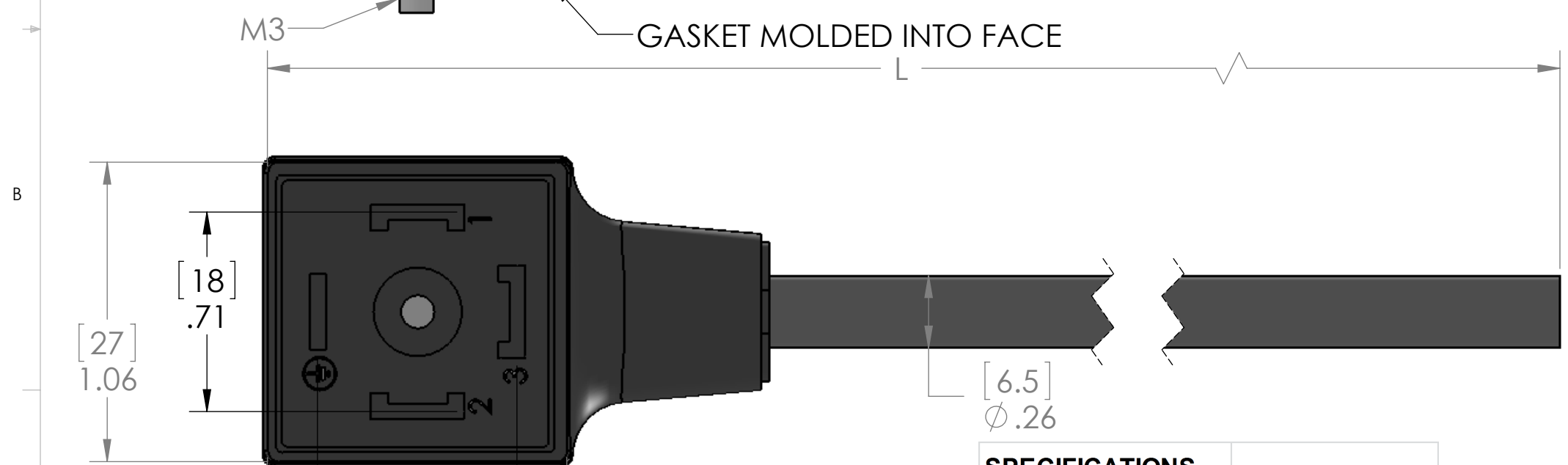
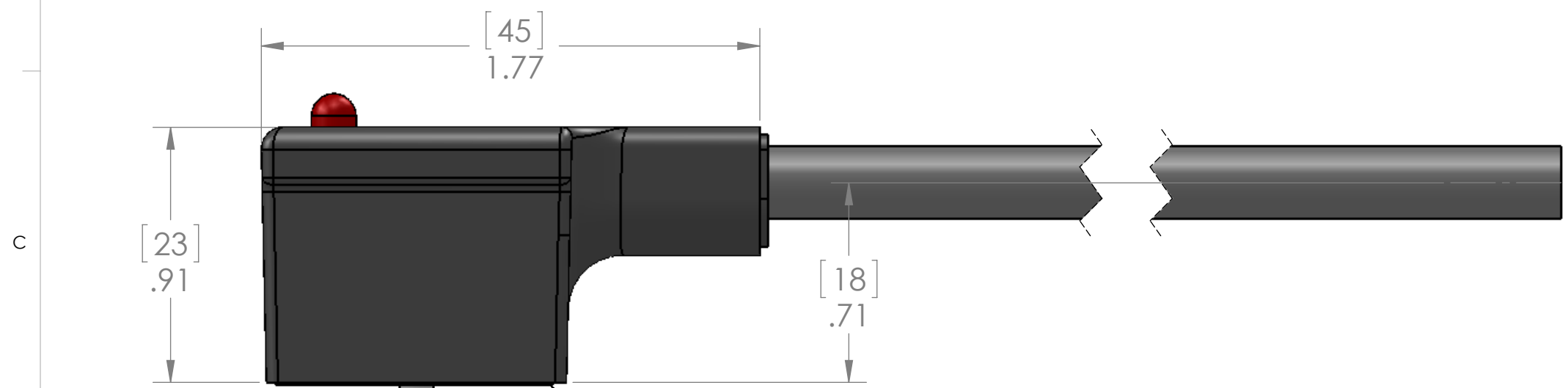


PIN #	COLOR
1	BROWN
2	BLACK
3	BLUE
GND	GREEN / YELLOW

MATERIALS	
BODY:	BLACK TPE
CONTACTS:	SILVER PLATED COPPER ALLOY
CABLE:	GRAY 18/5 OIL RESISTANT
SCREW:	ZINC PLATED STEEL

REVISIONS			
REV.	DESCRIPTION	DATE	APPROVED
A	DRAWN IN SW	12/16/2013	BEM



P/N	L	STD?
VAS-190-00	40" [1M]	NO
VAS-290-00	79" [2M]	YES
VAS-390-00	118" [3M]	NO
VAS-490-00	157" [4M]	NO
VAS-590-00	197" [5M]	YES
VAS-690-00	236" [6M]	NO
VAS-A90-00	393" [10M]	YES

PARTS LISTED AS NOT BEING STANDARD
MAY REQUIRE MINIMUM ORDERS

SPECIFICATIONS	
TEMP:	-25°C to +90°C
PROTECTION:	IP 65

PROPRIETARY AND CONFIDENTIAL
THE INFORMATION CONTAINED IN THIS DRAWING IS THE SOLE PROPERTY OF MENCOM CORPORATION. ANY REPRODUCTION IN PART OR AS A WHOLE WITHOUT THE WRITTEN PERMISSION OF MENCOM CORPORATION IS PROHIBITED.

VOLTS	10-50V
AMPS	10A

UNLESS OTHERWISE SPECIFIED:		NAME
DIMENSIONS ARE IN INCHES AND [MM]	DRAWN	RSC
	CHECKED	
	ENG APPR.	
	MFG APPR.	
	Q.A.	
	COMMENTS:	

MENCOM CORPORATION		
TITLE: DIN A W/DUAL LED 3+E		
SIZE B	DWG. NO. VAS-ZZ90-00	REV A
SCALE: 2:1	WEIGHT:	SHEET 1 OF 1