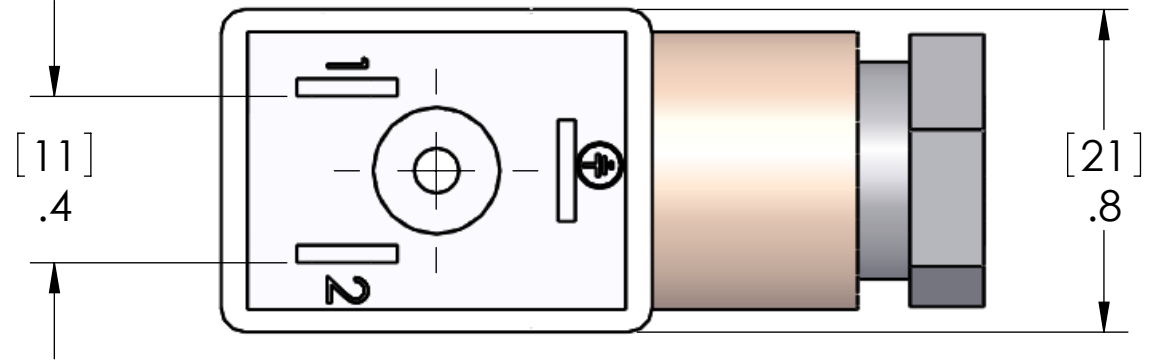
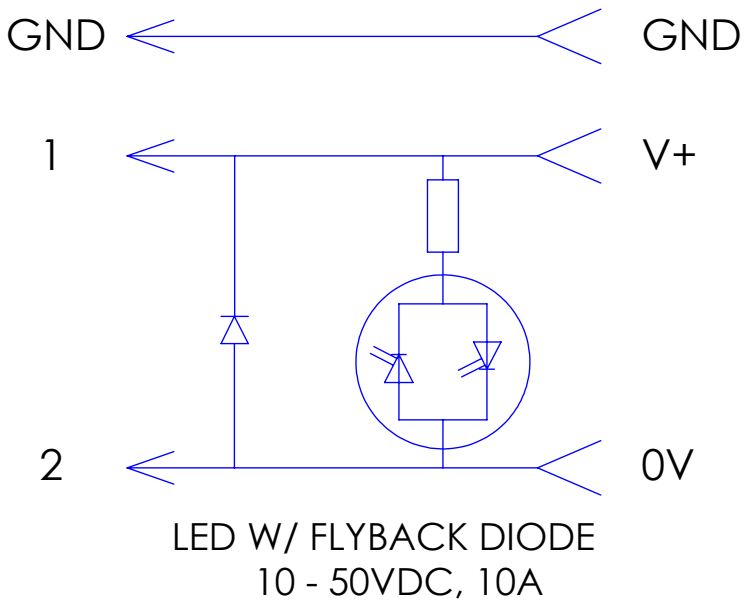
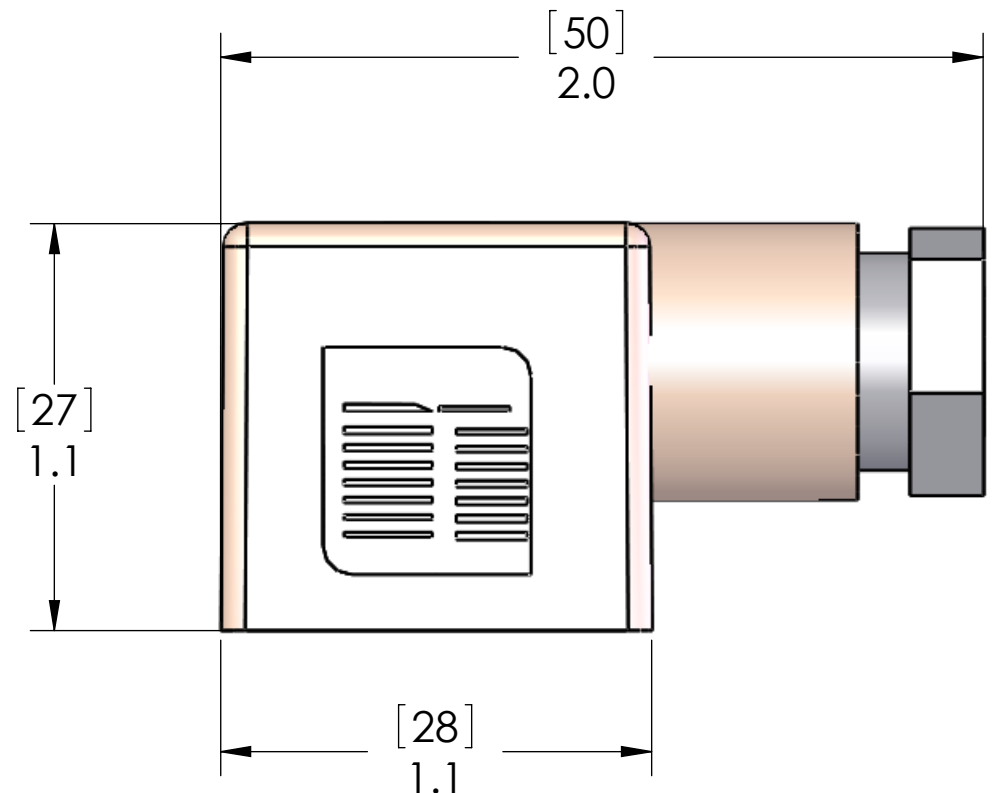


REVISIONS			
REV.	DESCRIPTION	DATE	APPROVED
A	REDRAWN IN SW	9/13/2007	



CABLE RANGE: 6 - 8mm dia., 16AWG MAX

GASKET AND SCREW INCLUDED BUT NOT SHOWN

MATERIALS	
DIN BODY:	POLYAMIDE
DIN CONTACTS:	COPPER ALLOY SILVER PLATED
GASKET:	THERMOPLASTIC
SCREW:	ZINC PLATED STEEL

PROPRIETARY AND CONFIDENTIAL
 THE INFORMATION CONTAINED IN THIS DRAWING IS THE SOLE PROPERTY OF MENCOM CORPORATION. ANY REPRODUCTION IN PART OR AS A WHOLE WITHOUT THE WRITTEN PERMISSION OF MENCOM CORPORATION IS PROHIBITED.

UNLESS OTHERWISE SPECIFIED:	
DIMENSIONS ARE IN INCHES AND [MM]	DO NOT SCALE DRAWING
MATERIAL	
FINISH	

NAME	MENCOM CORPORATION		
DRAWN	CAM	TITLE:	
CHECKED			
ENG APPR.			
MFG APPR.			
Q.A.			
COMMENTS:			
SIZE	DWG. NO.	REV	
B	VDC-029-00	A	
SCALE: 2:1	WEIGHT:	SHEET 1 OF 1	