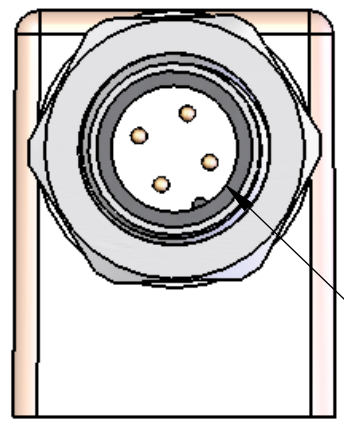
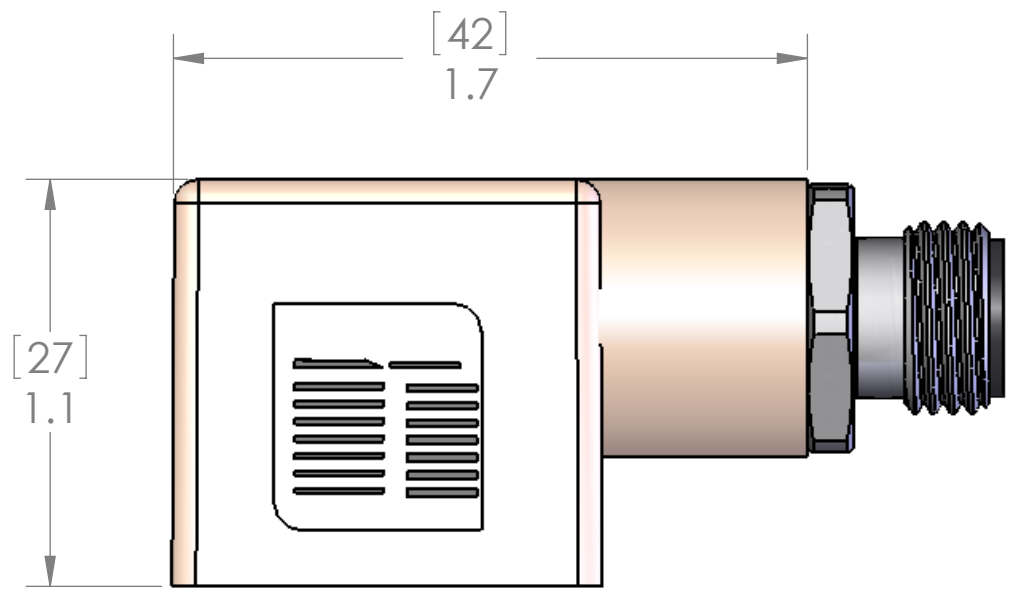
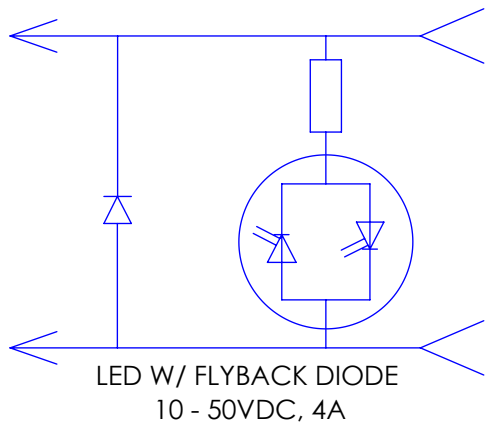
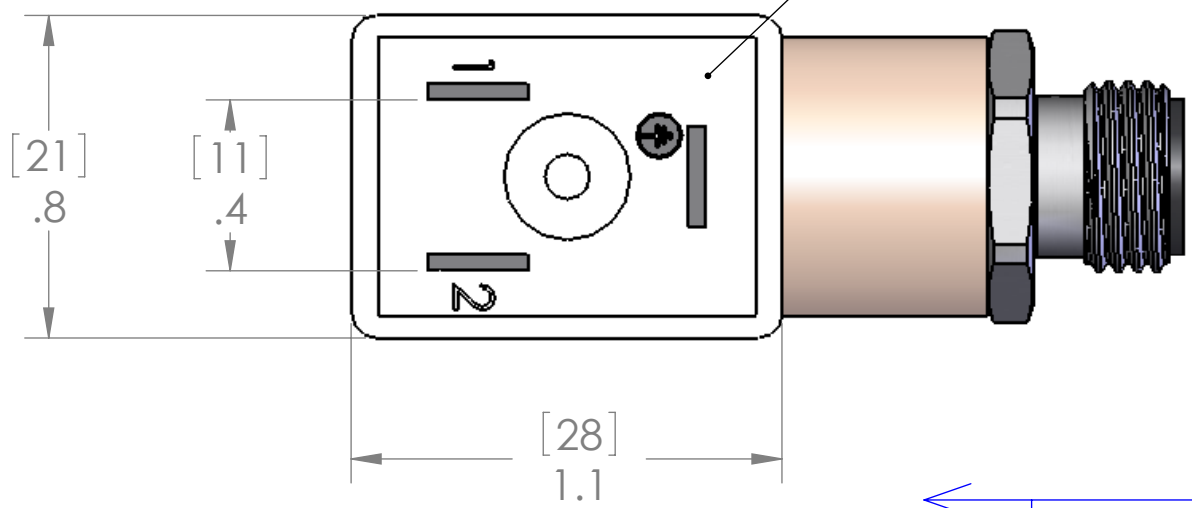


REVISIONS			
REV.	DESCRIPTION	DATE	APPROVED
A	REDRAWN IN SW	9/10/2007	BEM



ORIENTATION OF PINPLATE AS SHOWN

ORIENTATION OF THIS CONNECTOR IS RANDOM



WIRING		
DIN		MDC
1	BLK	4
2	BLUE	3
GND	N/A	N/A

MATERIALS	
DIN BODY:	POLYAMIDE
DIN CONTACTS:	COPPER ALLOY SILVER PLATED
MDC BODY:	NICKEL PLATED BRASS
MDC CONTACTS:	COPPER ALLOY GOLD PLATED
MDC INSERT:	POLYAMIDE

UNLESS OTHERWISE SPECIFIED:
DIMENSIONS ARE IN INCHES & [MM]

MATERIAL

FINISH

DO NOT SCALE DRAWING

NAME
CAM

DRAWN

CHECKED

ENG APPR.

MFG APPR.

Q.A.

COMMENTS:

MENCOM CORPORATION

TITLE:

SIZE **B** DWG. NO. **VDC-029-3401** REV **A**

SCALE: 2:1 WEIGHT: SHEET 1 OF 1

PROPRIETARY AND CONFIDENTIAL
THE INFORMATION CONTAINED IN THIS DRAWING IS THE SOLE PROPERTY OF MENCOM CORPORATION. ANY REPRODUCTION IN PART OR AS A WHOLE WITHOUT THE WRITTEN PERMISSION OF MENCOM CORPORATION IS PROHIBITED.