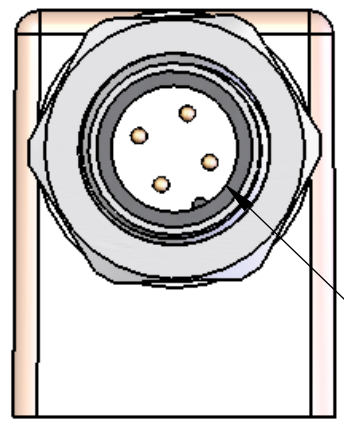
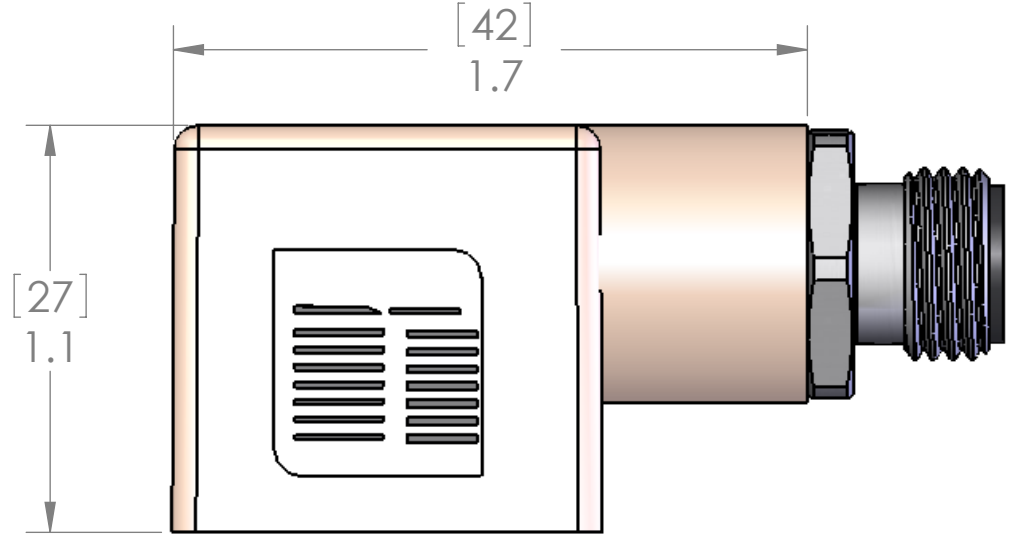
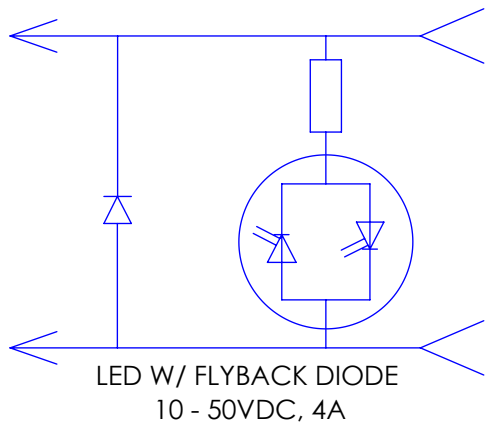
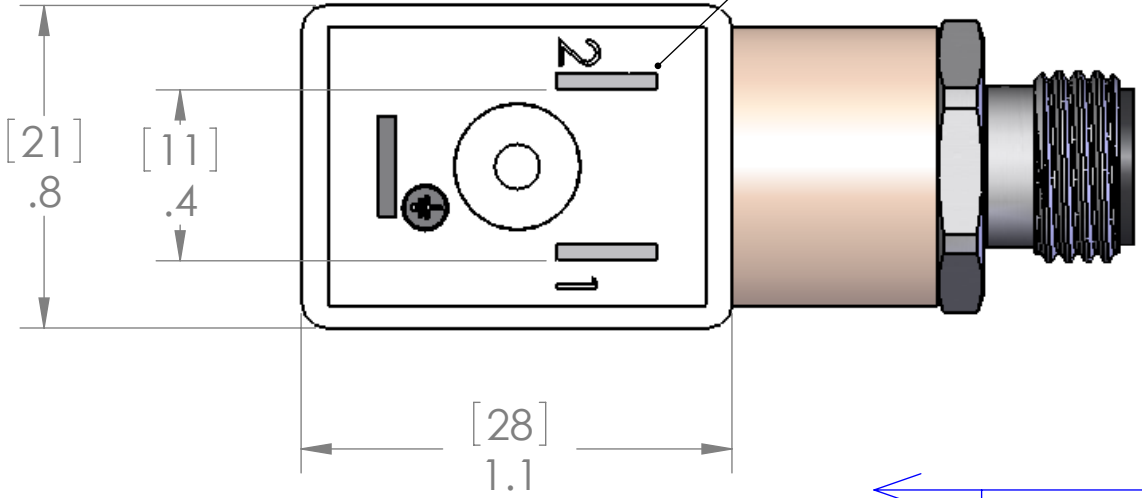


REVISIONS			
REV.	DESCRIPTION	DATE	APPROVED
A	REDRAWN IN SW	9/10/2007	BEM



ORIENTATION OF PINPLATE AS SHOWN

ORIENTATION OF THIS CONNECTOR IS RANDOM



WIRING		
DIN		MDC
1	BLK	4
2	BLUE	3
GND	N/A	N/A

MATERIALS	
DIN BODY:	POLYAMIDE
DIN CONTACTS:	COPPER ALLOY SILVER PLATED
MDC BODY:	NICKEL PLATED BRASS
MDC CONTACTS:	COPPER ALLOY GOLD PLATED
MDC INSERT:	POLYAMIDE

**PROPRIETARY AND CONFIDENTIAL**  
THE INFORMATION CONTAINED IN THIS DRAWING IS THE SOLE PROPERTY OF MENCOM CORPORATION. ANY REPRODUCTION IN PART OR AS A WHOLE WITHOUT THE WRITTEN PERMISSION OF MENCOM CORPORATION IS PROHIBITED.

UNLESS OTHERWISE SPECIFIED:  
DIMENSIONS ARE IN INCHES & [MM]  
MATERIAL  
FINISH  
DO NOT SCALE DRAWING

NAME  
DRAWN  
CHECKED  
ENG APPR.  
MFG APPR.  
Q.A.  
COMMENTS:

**MENCOM CORPORATION**  
TITLE:  
SIZE **B** DWG. NO. **VDC-089-3401** REV **A**  
SCALE: 2:1 WEIGHT: SHEET 1 OF 1