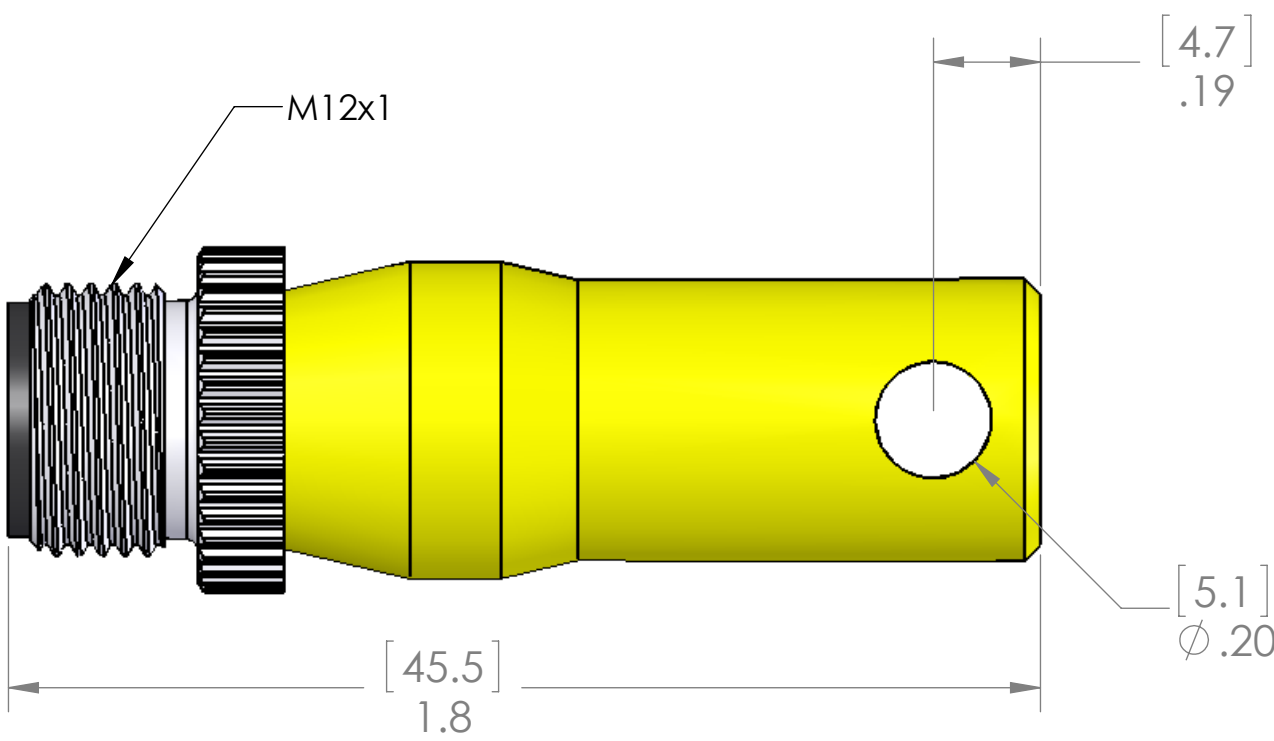
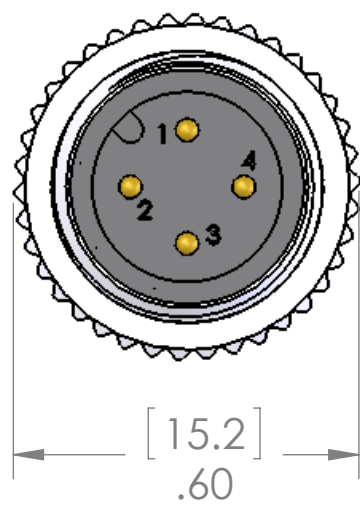


REVISIONS			
REV.	DESCRIPTION	DATE	APPROVED
A	DRAWN IN SW	12/8/2015	BEM



**PIN 1 CONNECTED TO PIN 2**  
**PIN 3 CONNECTED TO PIN 4**

MATERIALS:	
BODY:	YELLOW OIL RESISTANT PVC
COUPLING:	NICKEL PLATED BRASS
INSERT:	POLYAMIDE
CONTACTS:	GOLD PLATED COPPER ALLOY
APPROVALS:	
US:	UL LISTED
CANADA:	C-UL LISTED

**PROPRIETARY AND CONFIDENTIAL**  
 THE INFORMATION CONTAINED IN THIS DRAWING IS THE SOLE PROPERTY OF MENCOM CORPORATION. ANY REPRODUCTION IN PART OR AS A WHOLE WITHOUT THE WRITTEN PERMISSION OF MENCOM CORPORATION IS PROHIBITED.

VOLTS	300V
AMPS	4A
TEMP	105°C
SPECIFICATIONS	

UNLESS OTHERWISE SPECIFIED: DIMENSIONS ARE IN INCHES AND [MM]	DRAWN	NAME	DATE
MATERIAL	CHECKED	JJH	
FINISH	ENG APPR.		
	MFG APPR.		
	Q.A.		
	COMMENTS:		
DO NOT SCALE DRAWING			

MENCOM CORPORATION		
TITLE:		
SIZE	DWG. NO.	REV
<b>B</b>	MDC-4MP-DP4	<b>A</b>
SCALE: 3:1	WEIGHT:	SHEET 1 OF 1