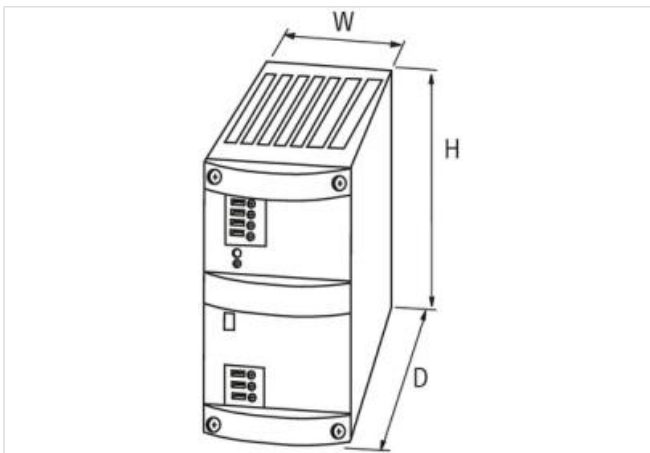
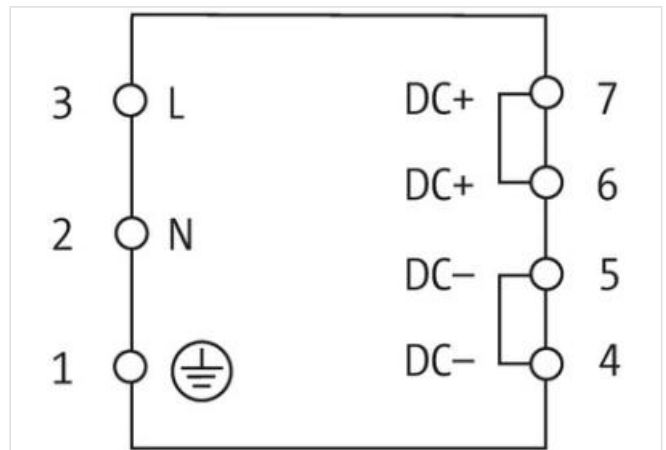


**MCS-B POWER SUPPLY 1-PHASE,**

IN: 100-265VAC OUT: 24V/10ADC

INPUT: 100...265 V AC  
 OUTPUT: 24 V DC +3/-1%  
 Current: 10 A

[Link to Product](#)**Illustration**

Product may differ from Image

**General data**

Standards	IEC 61010-2-201, EN 61204-3, EN 55011 A
Mounting method	DIN-rail mountable TH35 (EN 60715)
Temperature range	-25...+40 °C, ...+50 °C derating (storage temperature -25...+85 °C)
Relative humidity	5...95%, no condensation
Efficiency	83% (115 V AC); 85% (230 V AC)
Dimensions H×W×D	128×68×165 mm

**Output**

The information in this brochure has been compiled with the utmost care.

Liability for the correctness completeness and topicality of the information is restricted to gross negligence. Version: 2022-11-13

Murrelektronik Inc. | 1327 Northbrook Parkway, Suite 460 | Suwanee, GA 30024 | Fon +1 770 497-9292 | Fax +1 770 497-9391 | shop@murrinc.com | shop.murrinc.com

Output voltage	24 V DC (SELV), $\pm 1\%$ ; 22...28 V adjustable
LED display	LED (green) for output voltage
Output current	10 A (+40 °C); 8 A (+55 °C)
Mains failure bridging time	min. 15 ms (115 V AC); min. 115 ms (230 V AC)
Ripple	max. 20 mV eff/rms
Spikes	max. 100 mV ss/pp
Unit protection	short-circuit and overload protected
Parallel usage/serial usage	max. 5 units/max. 2 units
<b>Input</b>	
Input voltage	100...265 V AC
Primary fusing external	max. 16 A
Input current	3.4 A (115 V AC); 2.2 A (230 V AC)
Inrush current after 1 ms	max. 40 A
Frequency	50...60 Hz
Product article number of manufacturer	85165