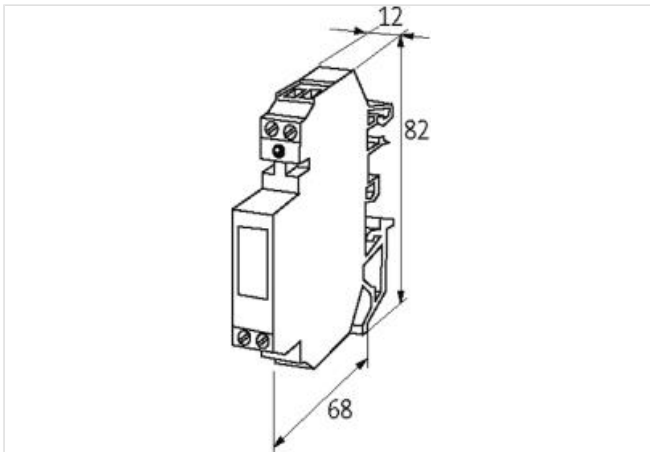
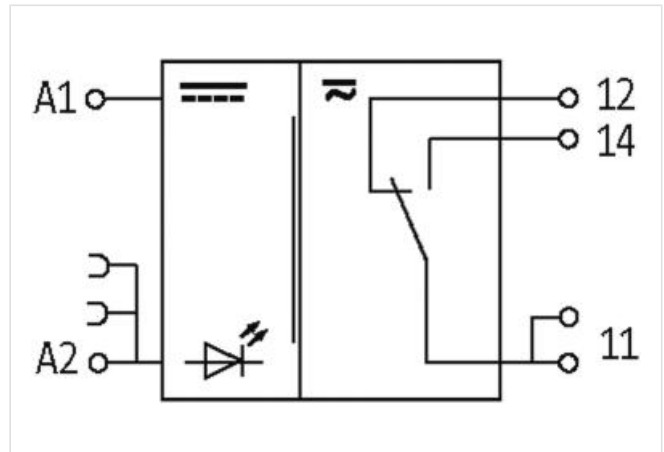


**RMMDUE 11/230 V AC INPUT RELAY**

IN: 230 VAC/DC - OUT: 250 VAC/DC / 5 A

1 relay; 1 NO/NC contact  
 5 A  
 230 V AC  
 with minus plug link

[Link to Product](#)**Illustration**

Product may differ from Image

**General data**

Mounting method	DIN-rail mountable TH35 or G32 (EN 60715)
Temperature range	-20...+60 °C
Test isolation voltage	4.0 kV
Mech./ elect. life	100 000 000 switching cycles/load dependent
Dimensions HxWxD	82x12x68 mm

**Output**

Min. load current	1 mA
Contact material	Ag Ni 0.15 hv; Ag hv
Energize/release/contact bounce time	10/10/1 ms
Switching voltage	max. 250 V AC/DC

Switching frequency	max. 15 Hz
Power rating (voltage dependent)	max. 1500 VA/180 W
Switching current per output	max. 5 A
<b>Input</b>	
Connection voltage - current	230 V AC/DC (195...253 V AC/DC) - 4.5 mA
LED display	LED (yellow)
<b>Utilization category</b>	
AC-15	4 A (24/110/230 V AC)
AC-1	5 A (24/110/230 V AC)
DC-13	2 A (24 V DC); 0.25 A (110 V DC); 0.1 A (230 V DC)
Product article number of manufacturer	51138