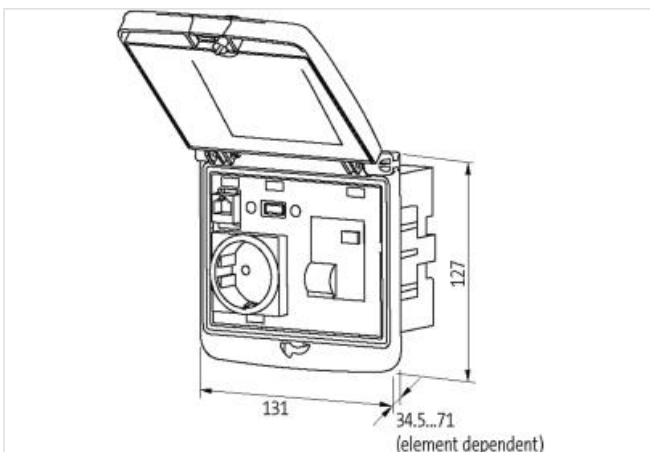
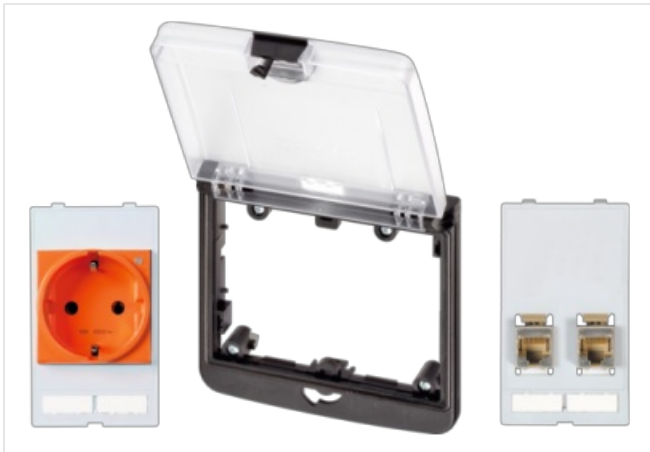


Modlink MSDD-set: Frame 4000-68522-000003,
insert 4000-68000-0140000 + 4000-68000-1200000

[Link to Product](#)

Illustration



Product may differ from Image

Frame

suitable for mounting with wall thickness	1...5 mm
Protection	IP65
Temperature range	-30...+70 °C (storage temperature -30...+80 °C)
Housing	Frame: plastic PA black, cap: plastic PC transparent

RJ45

Operating current (UL Rating)	max. 175 mA
Locking of ports	Snap In
Connection front side	RJ45
Connection rear side	RJ45
Operating voltage (UL Rating)	max. 30 V AC/42.4 V DC
Specification	CAT5e, Class D, 100 MHz, (EN 50173-1)

Germany (VDE)

Connection	Spring clamp terminals: max. 2x 2.5 mm ² (AWG 14)
Operating voltage	250 V AC
No. of poles	2 + PE
Operating current	10...16 A

Shielding plate

Tightening torque	0.9 Nm ±0.1
Connection	Threaded hole M4

Product article number of manufacturer	4000-68522-0141203
--	--------------------