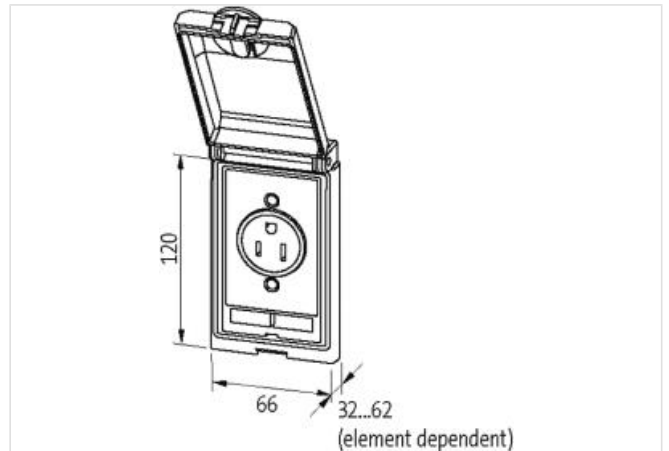


Modlink MSDD-set: Frame 4000-68113-0000000,

insert 4000-68000-8910000

Link to Product

Illustration



Product may differ from Image



General data

Shielded no

Description

Functional description For self-installation of connectors or switches, available space 34x58 mm, indentation 13 mm

Product article number of manufacturer 4000-68113-8910000