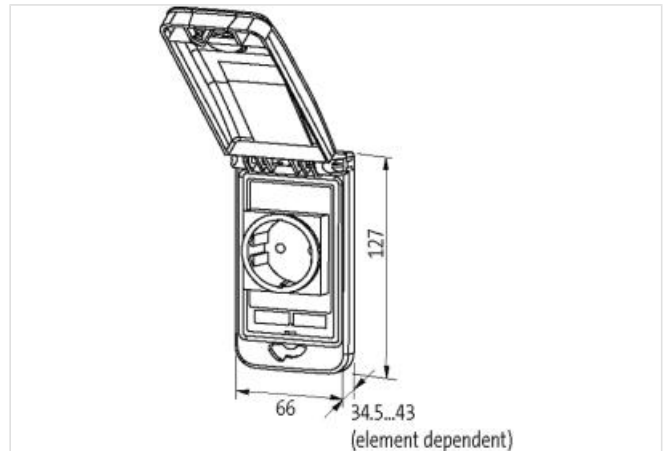


Modlink MSDD-set: Frame 4000-68512-0000001,

insert 4000-68000-1410000

[Link to Product](#)**Illustration**

Product may differ from Image

**Frame**

suitable for mounting with wall thickness	1...5 mm
Protection	IP65
Temperature range	-30...+70 °C (storage temperature -30...+80 °C)
Housing	Frame: plastic PA black, cap: plastic PC transparent

RJ45

Operating current (UL Rating)	max. 175 mA
Locking of ports	Snap In
Connection front side	RJ45

The information in this brochure has been compiled with the utmost care.

Liability for the correctness completeness and topicality of the information is restricted to gross negligence. Version: 2022-11-13

Murrelektronik Inc. | 1327 Northbrook Parkway, Suite 460 | Suwanee, GA 30024 | Fon +1 770 497-9292 | Fax +1 770 497-9391 | shop@murrinc.com | shop.murrinc.com

Connection rear side	RJ45
Operating voltage (UL Rating)	max. 30 V AC/42.4 V DC
Specification	CAT5e, Class D, 100 MHz, (EN 50173-1)

SUB-D9

Connection rear side	SUB-D (female)
Operating current (UL Rating)	max. 175 mA
Connection front side	SUB-D (female)
Locking of ports	UNC 4...40 bolt
Operating voltage (UL Rating)	max. 30 V AC/42.4 V DC
Operating current	3 A
No. of poles	9-pole
Operating voltage	48 V AC/DC

Shielding plate

Tightening torque	0.9 Nm \pm 0.1
Connection	Threaded hole M4

Product article number of manufacturer	4000-68512-1410001
--	--------------------