

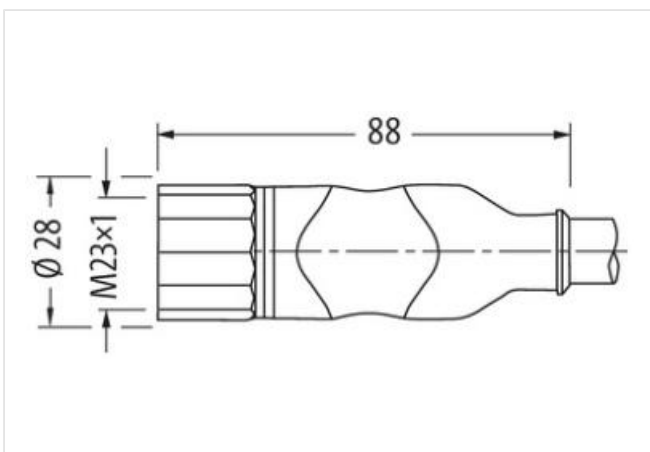
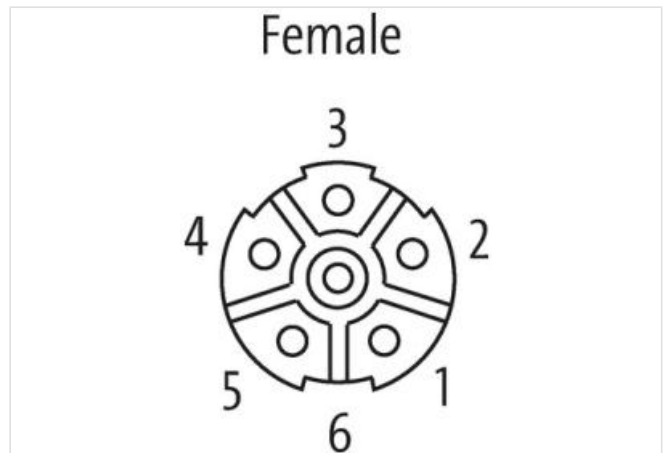
M23 SERVO CABLE

specification: 6FX8002-5CG11-1BA0

Female straight
 Plastic housings with good resistance against chemicals and oils.
 M23, 6-pole
 4-pole used
 shielded
 without brake wires
 Power cable for SINAMICS S120 and Motors with M23 connection
 Mounting bracket
 without cable sleeves
 Further cable lengths on request.

[Link to Product](#)

Illustration



Product may differ from Image

Form

Form PS206

Technical Data

Operating voltage max. 630 V AC/DC

Rated surge voltage	6.0 kV
Operating current per contact	Power cores: 12 A (1.5 mm ²), 15 A (2.5 mm ²)
Material group	IEC 60664-1, category I
Locking of ports	Screw thread (M23×1 mm) recommended torque 2.0 Nm, self-securing
Protection	IP65 and IP67 when plugged and screwed down (EN 60529)
Material	PUR
Locking material	Brass, nickel plated
suitable for corrugated tube (internal Ø)	16 mm
Compression gland	M23 (SW27)

General data

Pollution Degree	3
Temperature range	-25...+85 °C, depending on cable quality

Cables

No./diameter of wires	(4G2.5+C)
Wire isolation	PP (bk num, gnye)
C-track properties	10 Mio.
Outer Ø	10.6 mm ±5%
Cable number	857
Approval (cable)	cURus (AWM-Style 21223/10492)
Shield	yes
Jacket Color	orange
Temperature range (fixed)	-30...+80 °C
Temperature range (mobile)	-30...+60 °C
Bend radius (fixed)	5× outer Ø
Bend radius (moving)	7.5× outer Ø
Torsion stress	±30°/m
Material (jacket)	PUR (UL/CSA) (=MC800+)

Product article number of manufacturer	7000-PS206-8571000
Cable length	10 m