

### Valve plug SuperSeal female with cable

PUR 4x0.75 bk 7,5m

Xtreme - Outdoor

Male straight

max. 24 V DC

4-pole

without components

without cable sleeves

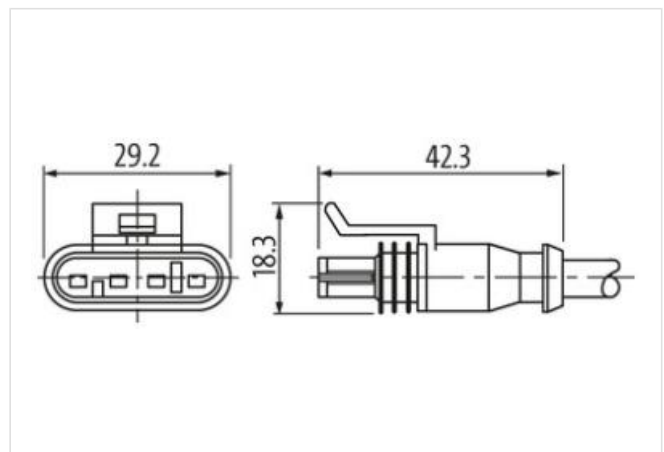
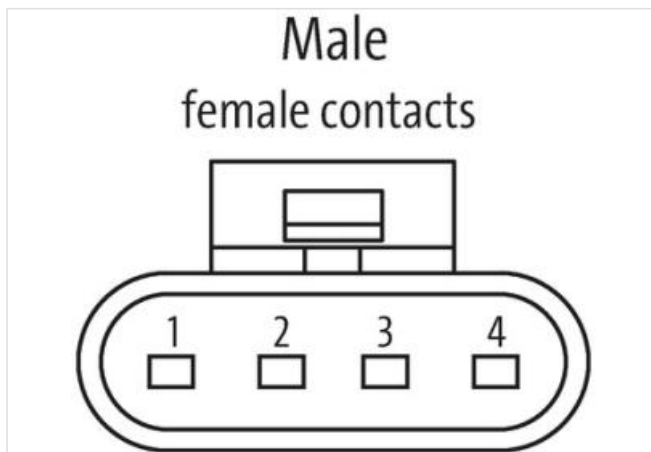
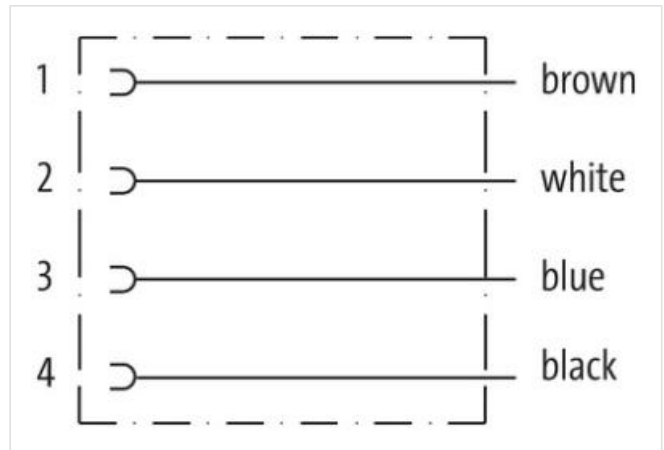
Plastic housings with good resistance against chemicals and oils.

The resistance to aggressive media should be individually tested for your application. Further details on request.

Further cable lengths on request.

### [Link to Product](#)

#### Illustration



Product may differ from Image

#### Form

Form 73161

#### Technical Data

Operating voltage	max. 24 V DC
Rated surge voltage	1.5 kV
Operating current per contact	max. 7 A

No. of poles	4-pole
LED display	no
Locking of ports	Snap-in connector
Protection	IP67 inserted and tightened (EN 60529)
Material	PUR
suitable for corrugated tube (internal Ø)	11 mm
Housing	AMP SuperSeal 1.5, black plastic
Additional suppressor	without components

#### General data

Mounting method	inserted
Material (contact)	Copper alloy
Material (contact surface)	Sn
Material (gasket)	Silicon
Pollution Degree	3
Temperature range	-40...+125 °C, depending on cable quality

#### Cables

No./diameter of wires	4× 0.75 mm <sup>2</sup>
Wire isolation	PP (br, wh, bl, bk)
C-track properties	2 Mio.
Outer Ø	5.7 mm ±5%
Cable identification	514
Cable number	514
Material (wire)	Cu wire, bare
Resistor (core)	max. 58 Ω/km (20 °C)
Construction (core)	42× 0.15 mm (multi-strand wire class 6)
Diameter (core)	4× 0.75 mm <sup>2</sup>
AWG	similar to AWG 18
Material (wire isolation)	PP
Wire-Ø incl. isolation	1.79 mm ±5%
Color/numbering of wires	br, bk, bl, wh
Stranding combination	4 wires twisted
Shield	no
Material (jacket)	PUR
Outer-Ø (jacket)	5.7 mm ±5%
Color (jacket)	black
Jacket Color	black
Nominal voltage	300 V
Temperature range (mobile)	-25...+80 °C
Temperature range (mobile)	-25...+80 °C
Bend radius (moving)	6× outer Ø
Bend radius (moving)	6× outer Ø
Material (jacket)	PUR (UL)
Product article number of manufacturer	7072-73161-5140750
Cable length	7,5 m