

SVS VALVE PLUG FORM A 18MM FIELD-WIREABLE

12...30V DC LED M16x1.5 Power Switch

Form A (18 mm)

12...30 V DC

LED and switching amplifier

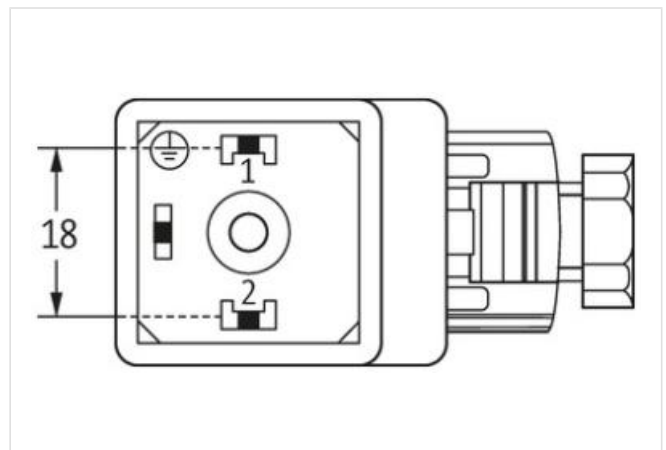
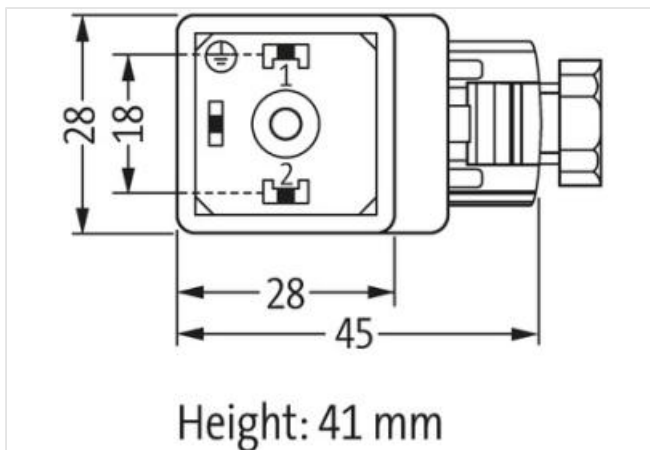
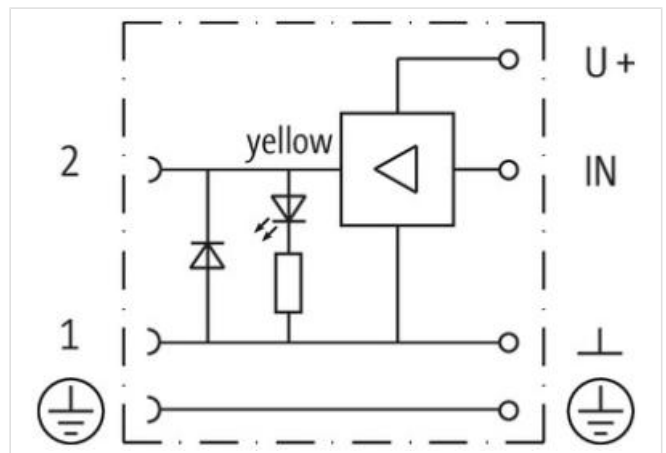
metric

Plastic housings with good resistance against chemicals and oils.

The resistance to aggressive media should be individually tested for your application. Further details on request.

[Link to Product](#)

Illustration



Product may differ from Image

Form

Form 29481

Technical Data

Operating voltage	12...30 V DC
Operating current per contact	max. 2 A (short-circuit protected)
Locking of ports	M3 (recommended torque 0.4 Nm)
Protection	IP65 inserted and tightened (EN 60529)
Configuration	2 contacts + PE

General data

The information in this brochure has been compiled with the utmost care.

Liability for the correctness completeness and topicality of the information is restricted to gross negligence. Version: 2022-11-13

Murrelektronik Inc. | 1327 Northbrook Parkway, Suite 460 | Suwanee, GA 30024 | Fon +1 770 497-9292 | Fax +1 770 497-9391 | shop@murrinc.com | shop.murrinc.com

Temperature range -20...+60 °C

Product article number of manufacturer 7000-29481-0000000