

7/8" female 0° IDC5-pol., 0,75 - 1,5mm², 6,8 - 12,5mm

Female straight

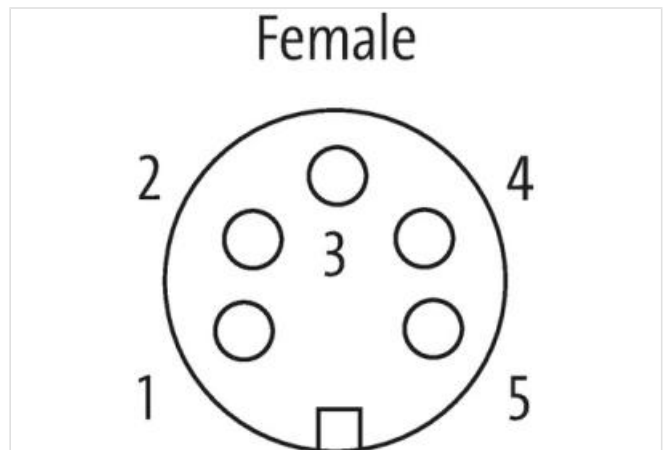
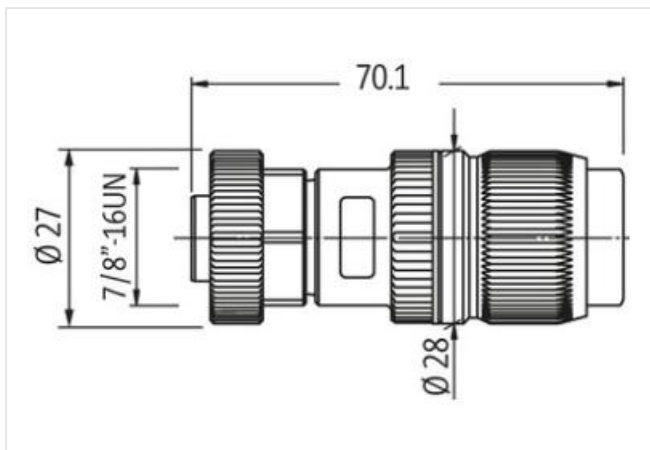
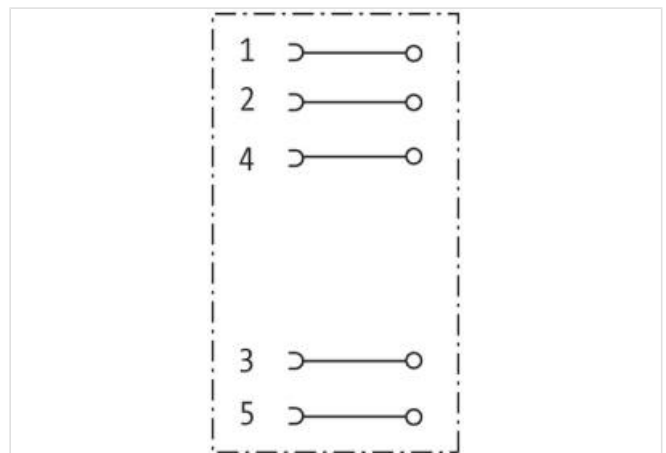
7/8" (5-pole)

IDC terminals

Connection cross section: 0.75...1.5 mm²

Plastic housings with good resistance against chemicals and oils.

The resistance to aggressive media should be individually tested for your application. Further details on request.

[Link to Product](#)**Illustration**

Product may differ from Image

Form

Form 78211

Technical Data

Operating voltage	max. 230/400 V AC/DC
Rated surge voltage	4.0 kV
Operating current per contact	max. 10 A
Material group	IEC 60664-1, category I
Coding	A-coded, 5-pole
Locking of ports	Screw thread 7/8" (recommended torque 1.5 Nm) self-securing

Connection cross section	0.75...1.5 mm ² (conductor diameter min. 0.15 mm)
Sealing range (cable Ø)	6.8...9.5 mm
Protection	IP65 and IP67 when plugged and screwed down (EN 60529)
Locking material	Brass
Outer wire Ø	max. 2.8 mm

General data

Pollution Degree	3
Temperature range	-40...+85 °C
Product article number of manufacturer	7000-78211-0000000