

SVS Eco valve plug A-18mm screw terminal

3-pol. + PE, 0,5 - 1,5mm², 4 - 6mm

Form A (18 mm) for pressure switch

250 V AC/DC

without components

metric

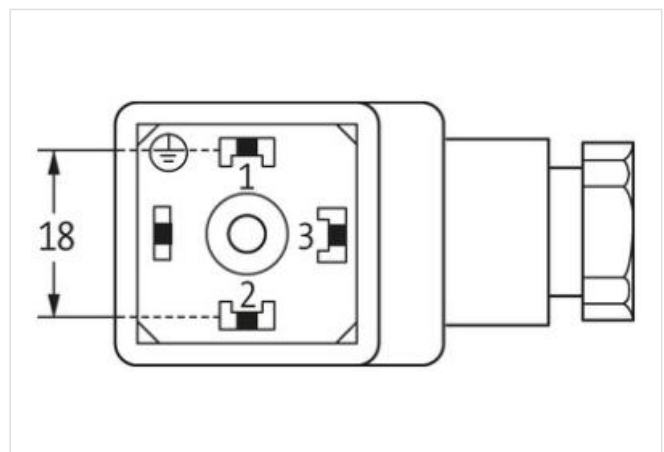
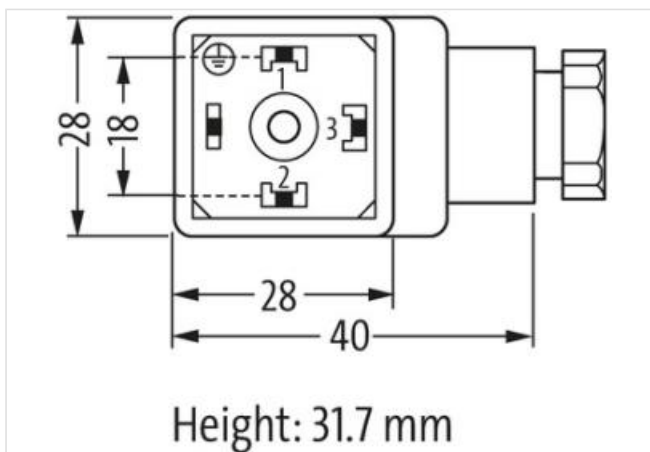
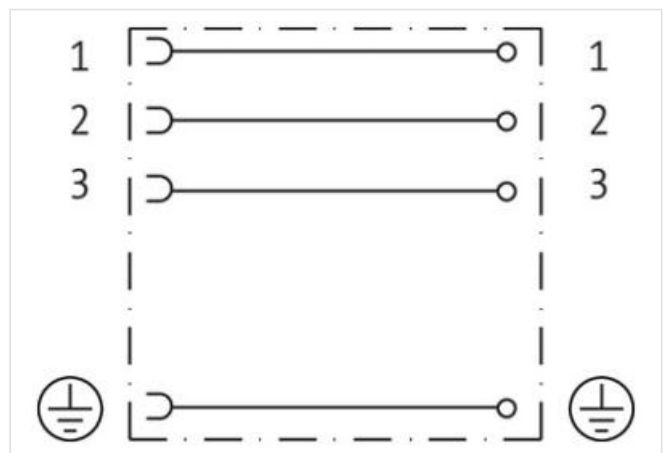
field-wireable

Plastic housings with good resistance against chemicals and oils.

The resistance to aggressive media should be individually tested for your application. Further details on request.

Link to Product

Illustration



Product may differ from Image



Technical Data

Operating voltage	max. 250 V AC/DC
Operating current per contact	max. 10 A
Locking of ports	M3 (recommended torque 0.4 Nm)

Connection cross section	0.5...1.5 mm ²
Sealing range (cable Ø)	4...6 mm
Protection	IP65 inserted and tightened (EN 60529)
Compression gland	M16×1.5 mm
Tightening torque (clamp screw)	0.2 ±0.1 Nm
Configuration	3 contacts + PE

General data

Mounting method	inserted, tightened
Material (gasket)	NBR
Temperature range	-40...+90 °C
Housing	PA6 GF30: black

Product article number of manufacturer 7000-29406-0000000