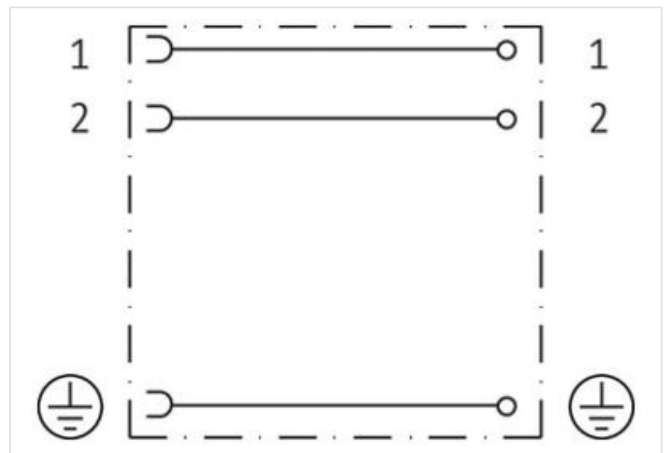
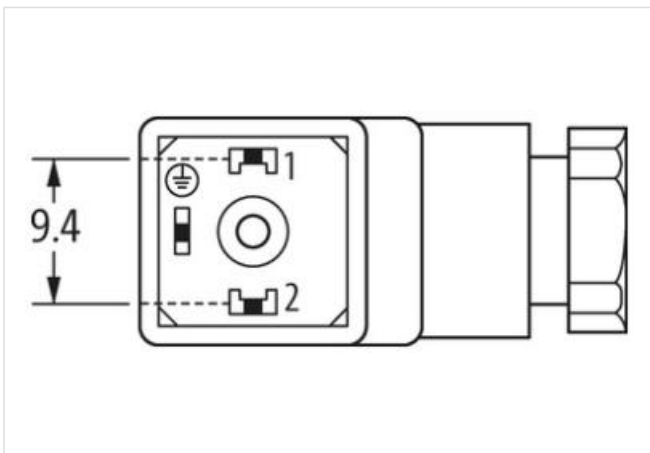
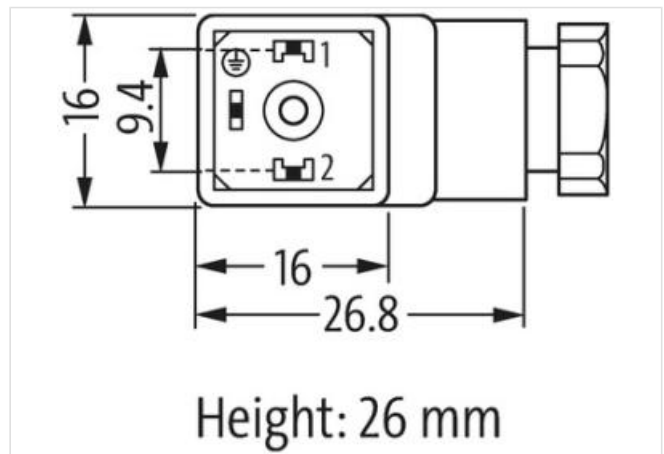


SVS Eco valve plug CI-9.4mm screw terminal2-pol. + PE, max. 0,5mm², 4 -6mm

Form CI (9.4 mm)
250 V AC/DC
without components
metric
field-wireable

Plastic housings with good resistance against chemicals and oils.

The resistance to aggressive media should be individually tested for your application. Further details on request.

[Link to Product](#)**Illustration**

Product may differ from Image

Form

Form 30155

Technical Data

Operating voltage	max. 250 V AC/DC
Operating current per contact	max. 6 A
Locking of ports	M3 (recommended torque 0.4 Nm)
Connection cross section	max. 0.5 mm ²
Sealing range (cable Ø)	4...6 mm

Protection	IP65 inserted and tightened (EN 60529)
Compression gland	M12×1.5 mm
Tightening torque (clamp screw)	0.2 ±0.1 Nm
Configuration	2 contacts + PE
General data	
Mounting method	inserted, tightened
Material (gasket)	NBR
Temperature range	-40...+90 °C
Product article number of manufacturer	7000-30155-0000000