

**RJ45 Professional male 45° IDC**

4-pol., 0,14 - 0,34mm<sup>2</sup>, 4,5 - 9mm, shielded, CAT5

Ethernet CAT5

Male 45°

RJ45, 4-pole

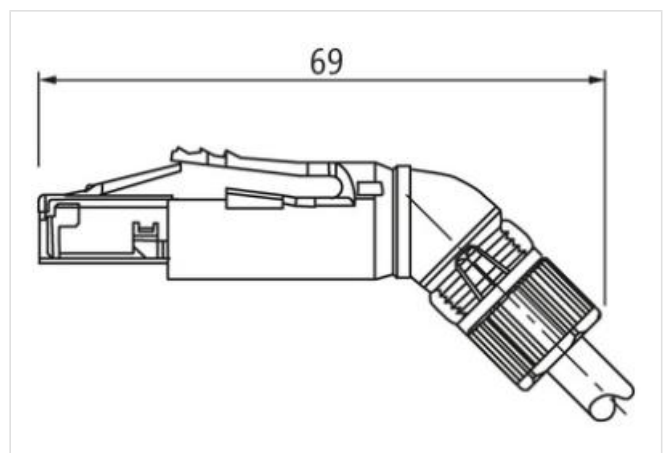
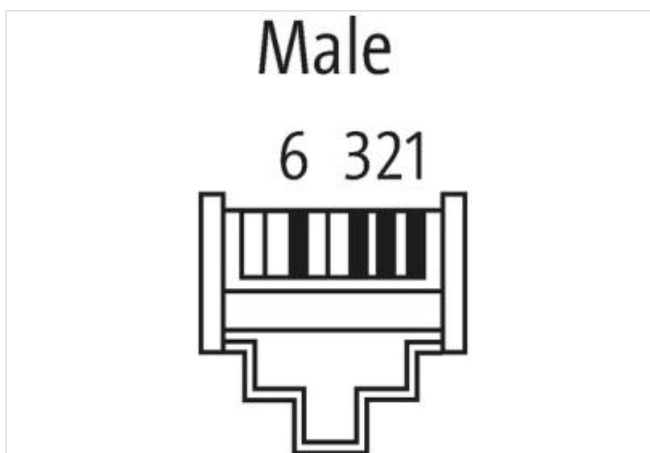
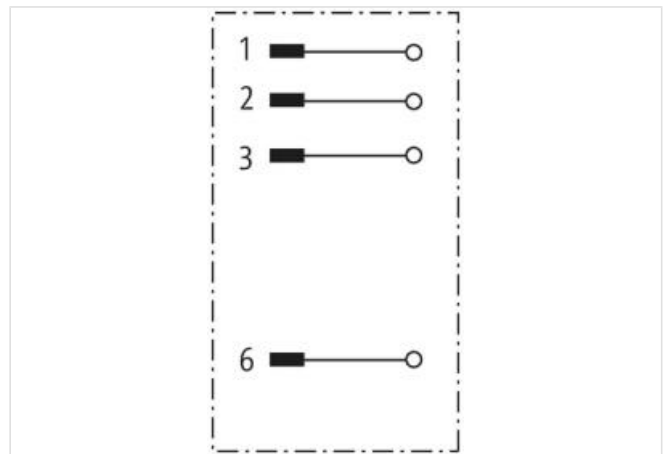
shielded

Protection IP20

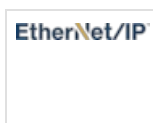
Quick connection technology

Plastic housings with good resistance against chemicals and oils.

The resistance to aggressive media should be individually tested for your application. Further details on request.

**[Link to Product](#)****Illustration**

Product may differ from Image

**Form**

Form

74021

**Technical Data**

Operating voltage	max. 60 V DC
Operating current per contact	max. 2 A
Transfer parameters	CAT5, Class D (ISO/IEC 11801:2002), (EN 50173-1)
Transfer rate	up to 100 Mbit/s full duplex
Connection cross section	0.14...0.34 mm <sup>2</sup> (AWG 26...22)
Sealing range (cable Ø)	4.5...8.0 mm
Protection	IP20
Outer wire Ø	max. 1.6 mm

**General data**

Temperature range	-40...+70 °C
Product article number of manufacturer	7000-74021-0000000