

M12-PANEL FEED THROUGH 6POLE A CODED

Control cabinet entry system

Male - female

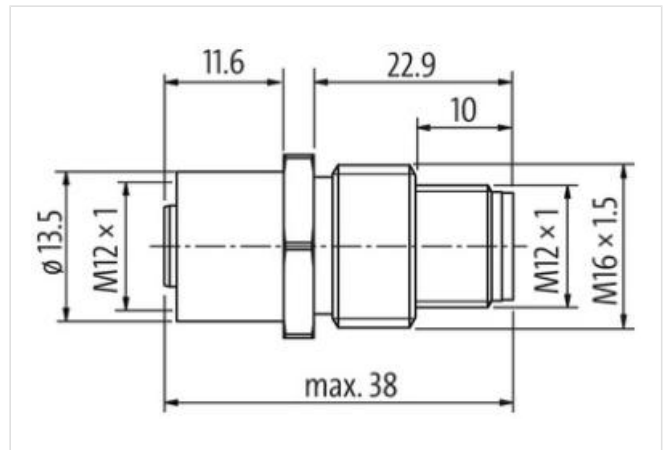
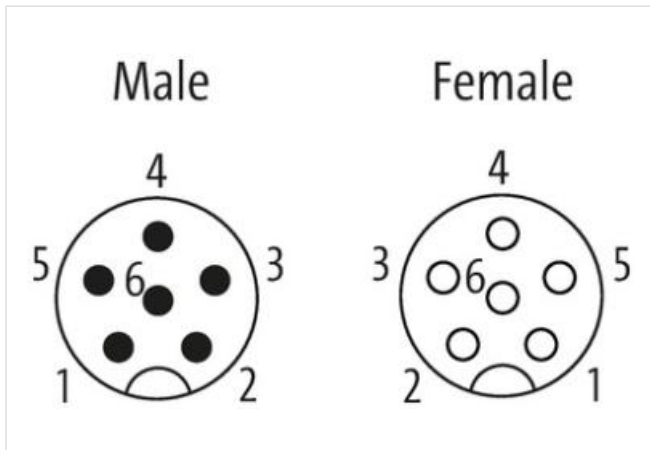
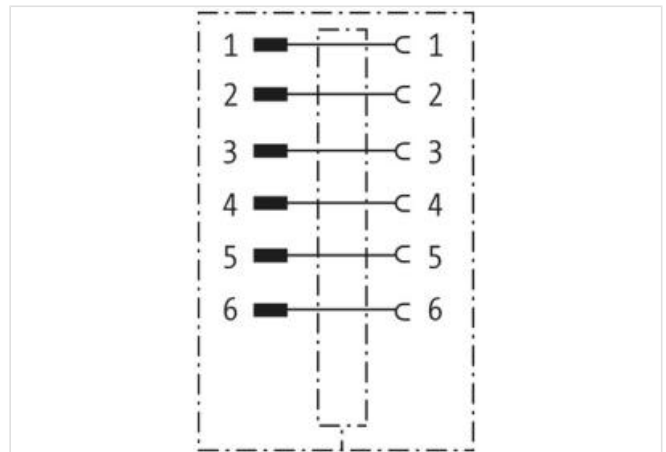
M12, 6-pole

A-coded

shielded

[Link to Product](#)

Illustration



Product may differ from Image

Form

Form 46111

Technical Data

Operating voltage max. 30 V AC/DC

Rated surge voltage 0.8 kV

Operating current per contact max. 4 A

Material group IEC 60664-1, category I

Coding A-coded

Locking of ports Screw thread (M12x1 mm) recommended torque 0.6 Nm, self-securing

Protection IP65 and IP67 when plugged and screwed down (EN 60529)

Material Brass, nickel plated

General data

The information in this brochure has been compiled with the utmost care.

Liability for the correctness completeness and topicality of the information is restricted to gross negligence. Version: 2022-11-14

Murrelektronik Inc. | 1327 Northbrook Parkway, Suite 460 | Suwanee, GA 30024 | Fon +1 770 497-9292 | Fax +1 770 497-9391 | shop@murrinc.com | shop.murrinc.com

Pollution Degree	3
Temperature range	-25...+85 °C
Mounting set	M16×1.5 mm
Product article number of manufacturer	7000-46111-0000000