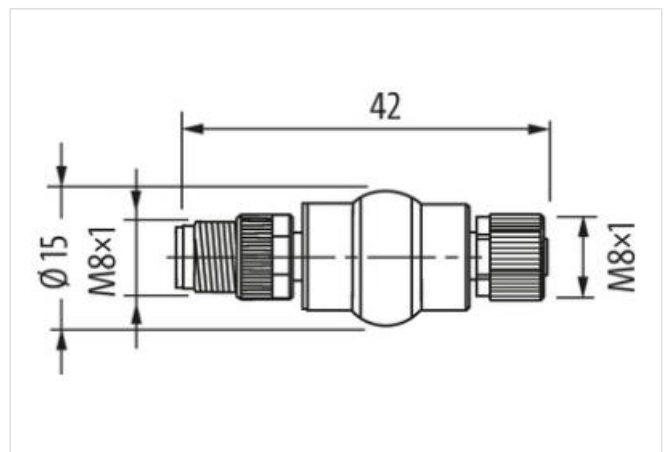
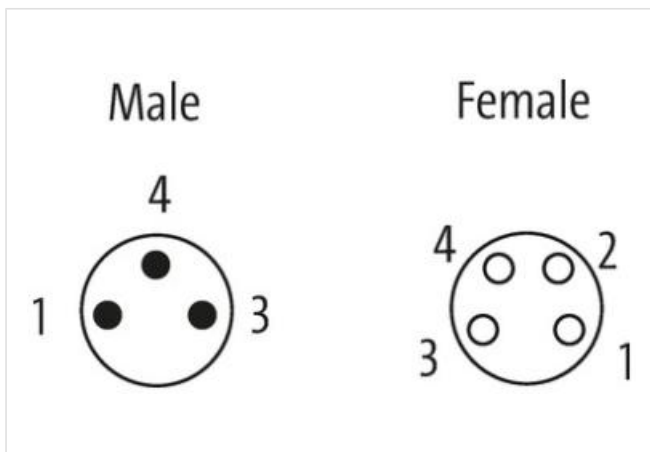
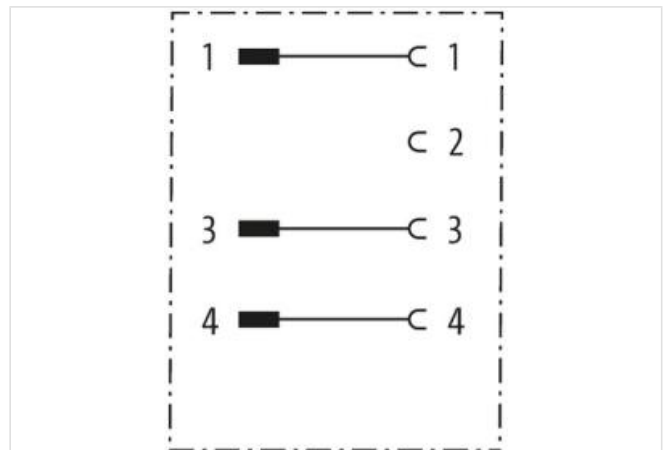


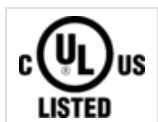
Adaptor M8 male / M8 female A-cod.

3-pol. / 4-pol., conf. 1,3,4

Adapter
Male - female
M8 – M8, 3/4-pole

[Link to Product](#)**Illustration**

Product may differ from Image

**Form**

Form 88511

Technical Data

Operating voltage	max. 50 V AC/60 V DC
Operating voltage (only UL listed)	max. 30 V AC/DC
Rated surge voltage	1.5 kV
Operating current per contact	max. 4 A

Material group	IEC 60664-1, category I
Locking of ports	Screw thread (M12×1 mm) recommended torque 0.6 Nm, self-securing
Protection	IP67 inserted and tightened (EN 60529)
Material	PUR
Locking material	Zinc die casting, matte nickel plated
Compression gland	M8 (SW9)
General data	
Pollution Degree	3
Temperature range	-25...+85 °C
Test isolation voltage	0.8 kV eff/rms
Product article number of manufacturer	7000-88511-0000000