

Clippard

DV SERIES HIGH FLOW ELECTRONIC VALVES

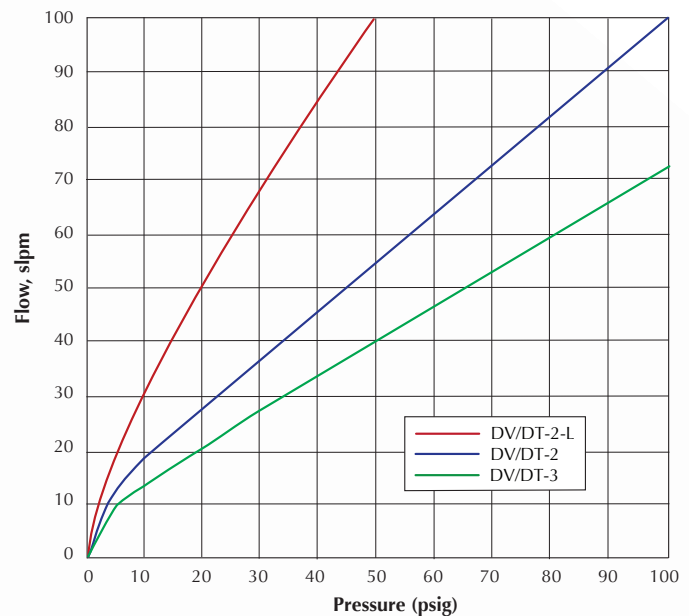


The Next "Gen" Valves that are compact, quick and offer flows to 100 l/min!

Clippard Minimatic® electronic valves are precision-built control valves utilizing Clippard's patented valving principle. The powerful DV Series was designed as the next generation of the well-known and trusted original EV line of Clippard "Mouse" valves. With a cycle life of over a billion, a solid, compact design, and extremely high flow rates, these valves are suitable for many applications across numerous diverse industries. A variety of voltage, connector and mounting options are available.

Medium	Compatible Fluids (40 micron filter recommended)
Air Flow	DV-2 / DT-2: 100 l/min @ 100 psig* DV-2-L / DT-2-L: 100 l/min @ 50 psig* DV-3 / DT-3: 70 l/min @ 100 psig*
Valve Type	2-Way or 3-Way, Normally-Closed or Normally-Open, Fully-Ported (3-Way)
Pressure Range	Vac to 100 psig*
Power Consumption	1.9 watts
Ports	#10-32 or M5 (Manifold Mounted versions), 1/8" or G1/8 (In-Line versions)
Response Time	10 to 15 milliseconds
Electrical Connection	Spade Terminals or Wire Leads*
Operating Range	95 to 125% of rated voltage
Voltage	12 or 24 VDC*
Ambient Temperature	32° to 130°F at continuous duty*
Mounting	In-Line, Manifold or Cartridge Style (inserts into a 3/4" bore)
Wetted Material	Ultem™, Stainless Steel**, PPS
Seal Material	Nitrile, FKM ("V"), EPDM ("E"), Silicone ("S") optional**
More Details	clippard.com/link/dv

- Industry standard for leak-free operation
- Fast response time
- Large flows in small, sleek design
- Low heat rise/low power
- Robust stainless steel "Spider" flat armature spring
- Over 1,000,000,000 cycles



* Consult Clippard for special configurations

** Other materials available for special design/project requirements. Consult Clippard.

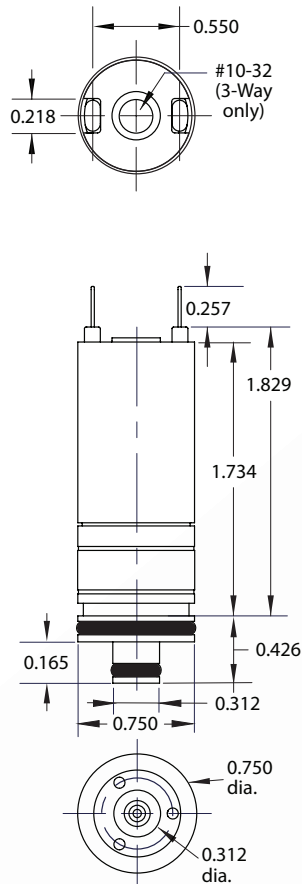
Ultem™ is a Trademark of SABIC
Minimatic® is a Trademark of Clippard Instrument Laboratory, Inc.



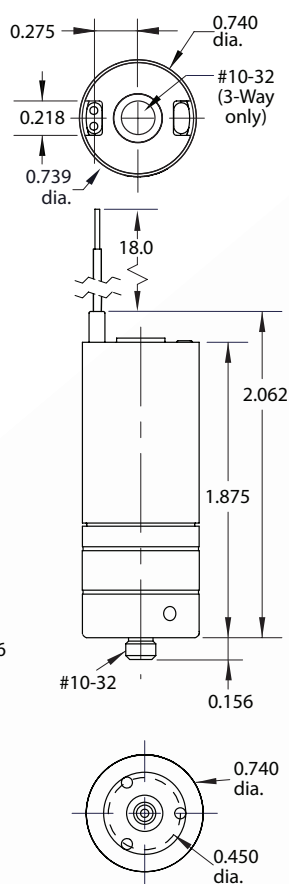
ORDERING INFORMATION

Unit	Connector	Function	Mount	Voltage	Pressure	Seals
(blank) Imperial	DT- Terminal	2 2-Way	(blank)- In-Line	12- 12 VDC	(blank) Vac. to 100 psig	(blank) Nitrile
M- Metric	DV- Wire Leads	3 3-Way	M- Manifold	24- 24 VDC	L Vac. to 50 psig*	V FKM
<div style="border: 1px solid black; padding: 2px; display: inline-block;"> Example Part No.: DT-2-12-L </div>			C- Cartridge		* 2-Way only	E EPDM
						S Silicone

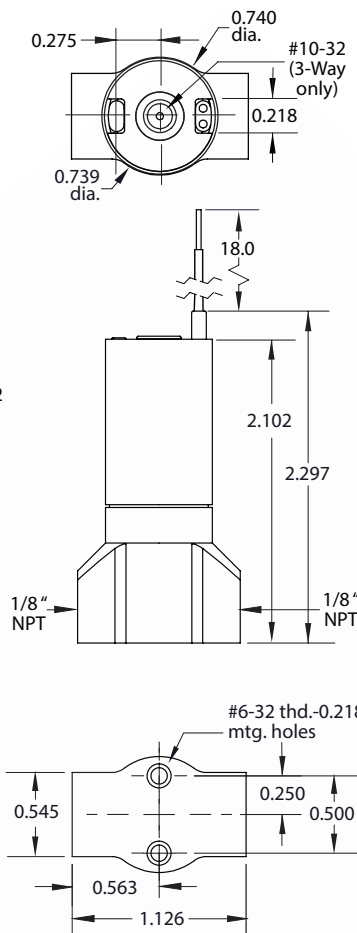
Spade Terminals
Cartridge Style



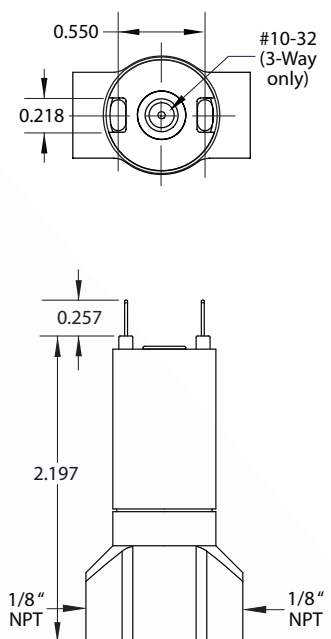
Wire Leads
Manifold Mount



Wire Leads
In-Line Manifold

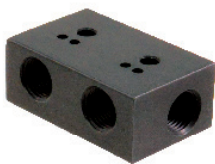


Spade Terminals
In-Line Manifold



Multi-Station Manifolds

Construction	Black anodized aluminum
Ports	1/8" NPT
	2-Station Part No.: 15781-2
	4-Station Part No.: 15781-4



Single-Station Manifolds

Construction	ENP brass standard, Other materials available.
Standard Manifold	Part No.: 15490-5
Cartridge Manifold	Part No.: 15492-1

For Manifold dimensions, visit www.clippard.com



877-245-6247 | clippard.com

CLIPPARD INSTRUMENT LABORATORY, INC. • ISO 9001 • TDS 4.2.15
For warranty and disclaimer information, visit clippard.com/warranty

