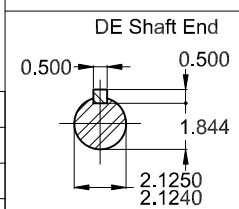
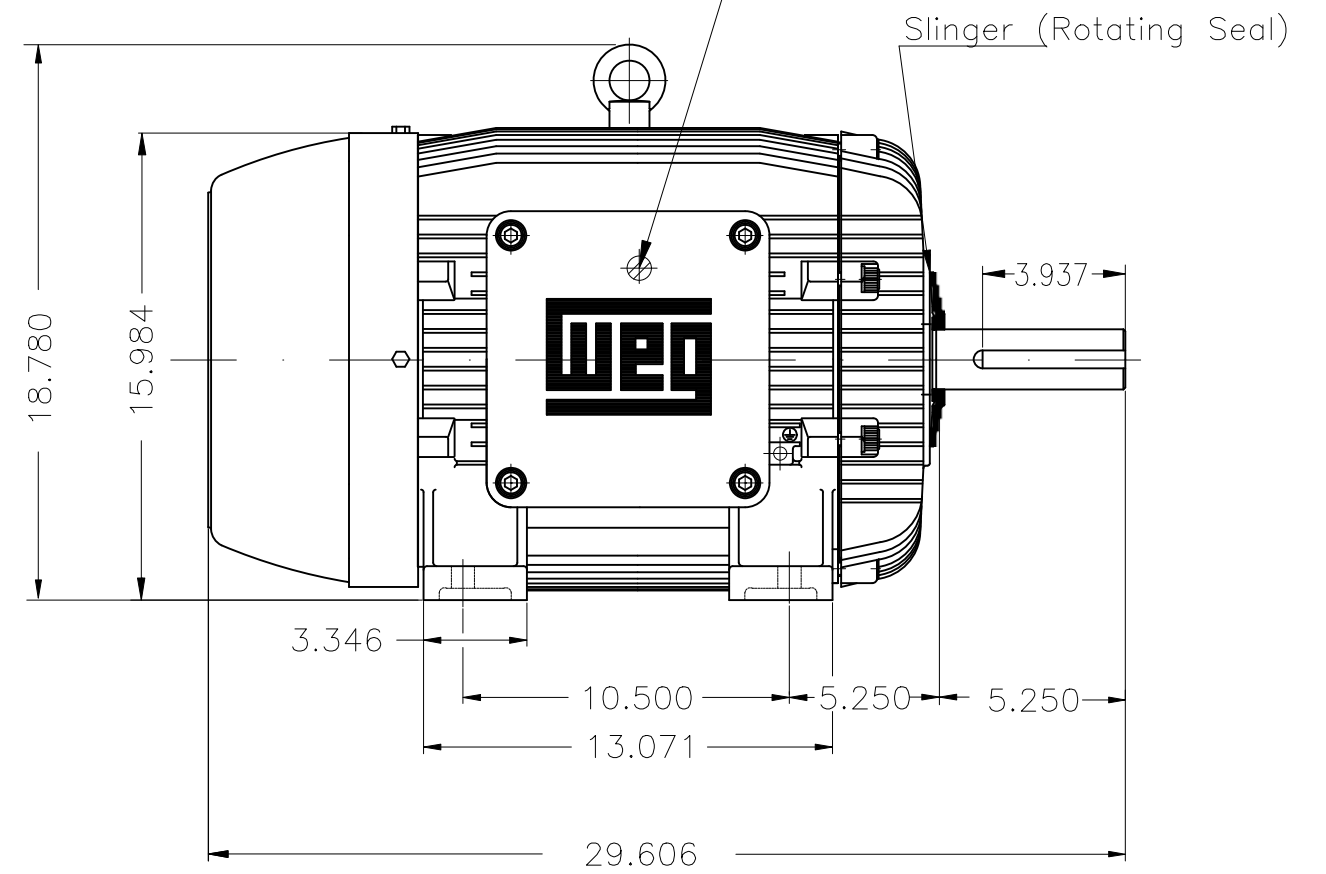


Grounding for leads 5.2-35 mm² / 10-2 AWG



Breather drain hole Ex db
 Color RAL 5009
 Painting plan 222P
 Mounting B3R(D)

20 HP 08 Poles 60 Hz

A

ECM	LOC	SUMMARY OF MODIFICATIONS	EXECUTED	CHECKED	RELEASED	DATE	VER
EXECUTED	HYBRISUSER	THREE PH. MOTOR EXPLOSION PROOF HIGH EFF.					
CHECKED		FRAME 324T IP55 TEFC					
RELEASED							
REL. DATE		WMO Jaragua do Sul	Product Engineering				

PREVIEW

WDD 00



SHEET 1 / 1

Dimensions in inches

XME A3