

A MENOS QUE HAJA AUTORIZAÇÃO  
PREVIA NAO SERÁ PERMITIDO A  
REPRODUÇÃO DESTE DESENHO  
DE PROPRIEDADE DA  
WEG MOTORES

EIXO	
PADRÃO	X
OPCIONAL	
ESPECIAL	

**FOR APPROVAL**

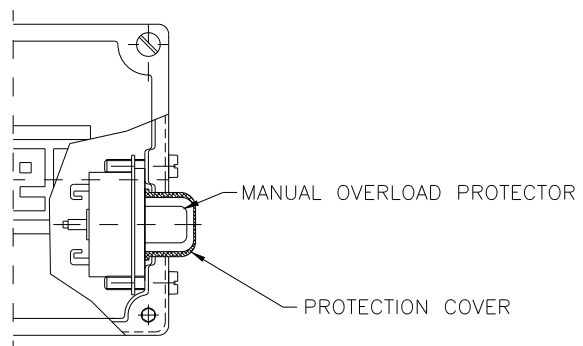
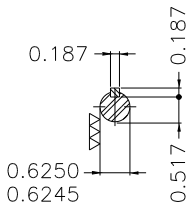
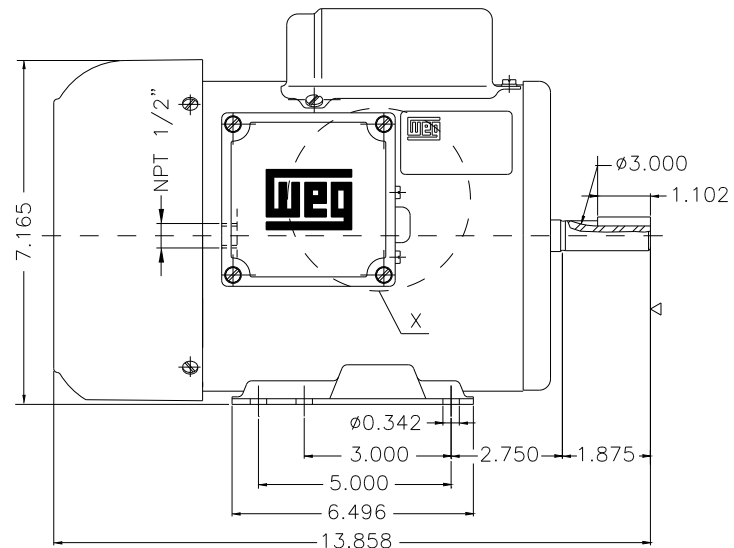
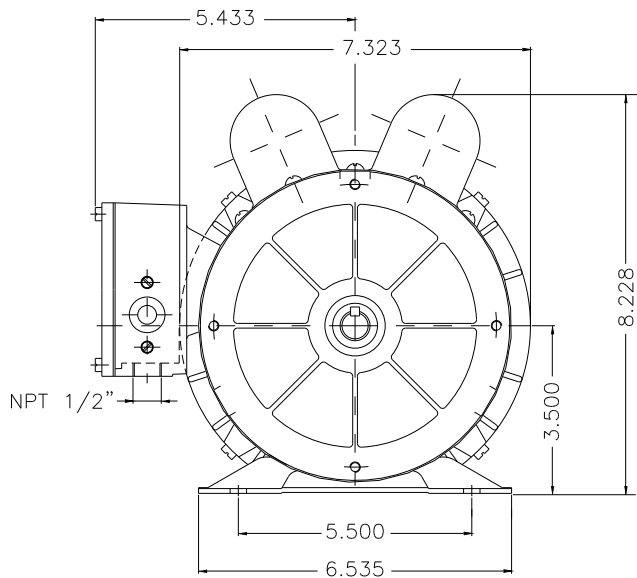
- ( ) Approved
- ( ) Approved with comments
- ( ) Not approved

Date: \_\_\_\_\_

Name: \_\_\_\_\_

Signature: \_\_\_\_\_

THIS IS AN UPDATED REVISION, THE PREVIOUS  
ONE MUST BE DISREGARDED.



DETAIL X

CAIXA DE LIGACAO DE ALUMINIO / ALUMINIUM TERMINAL BOX				FORMA CONSTRUTIVA B3D / MOUNTING B3R			
20045474	D-6	Alt. Cota 13.858 era 14.252	DEISE		JHONATAN	17.02.05	4
11884/02	---	ACRECS.ETIQUETA	CHARLES	WESLEY	LUIS	01.08.02	3
---	---	ALT. PESO NO MOTOR	ADRIANA	WESLEY	/m	13.04.98	2
---	---	ALT. COMPRIMENTO TOTAL ERA 14.858	ADRIANA	WESLEY		11.03.98	1
RLM	LOC	ENGINEERING CHANGES	DRAWN	REVIEWED	RELEASED	DATE	IND
DRAWN	DIEGO		FARM DUTY				
REVIEWED	<i>Rudi</i>		CUSTOMER				
RELEASED							
DATE	06/03/98		WEG ELECTRIC MOTORS				
SINGLE PHASE MOTOR							
FRAME G56H IP55 (TEFC)							
						SCALE: %	
						VL	
						WEG	
						BEN01249	

2.0 HP 4 POLE 60 Hz APPROX. WEIGHT 22.300 kg