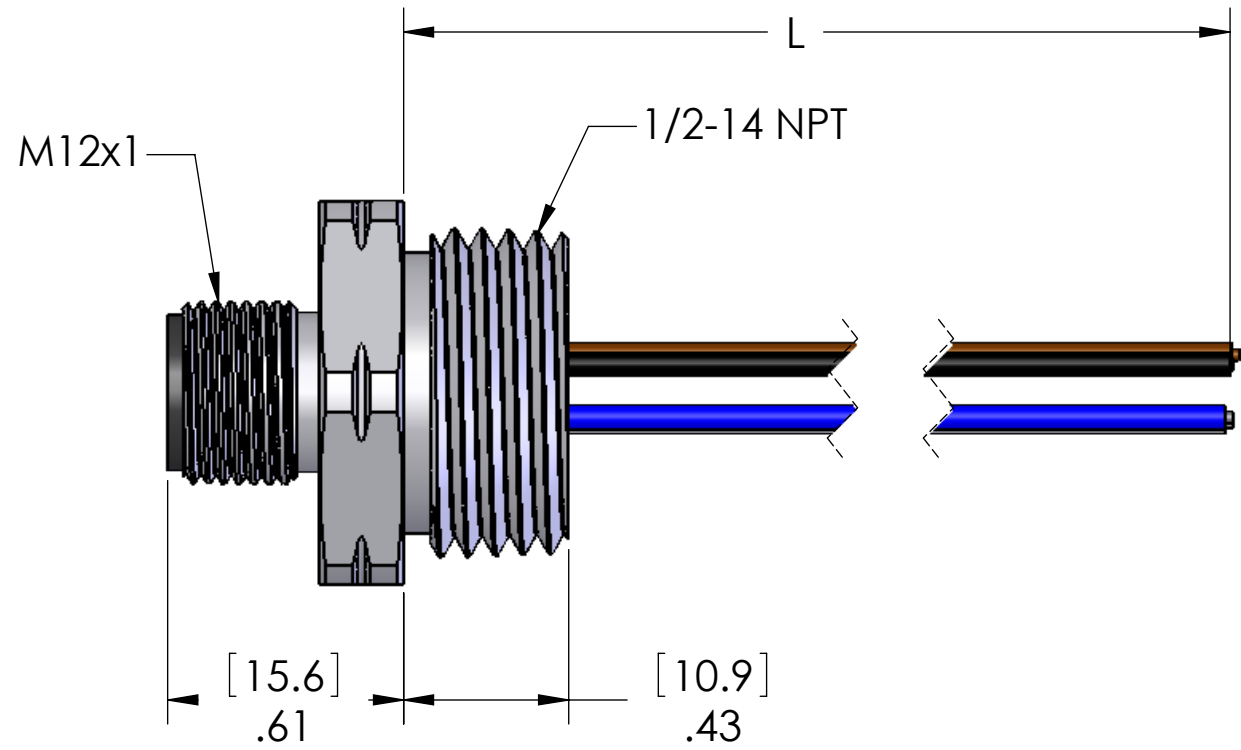
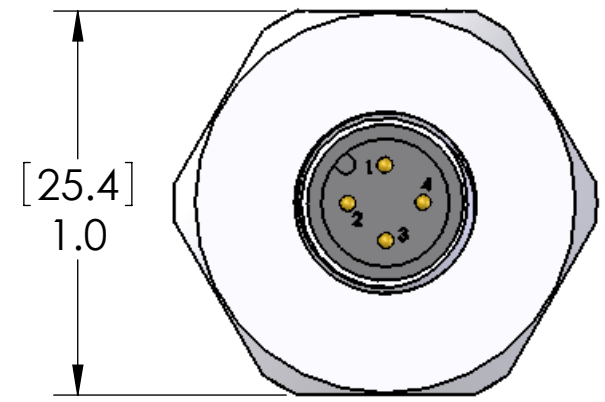


PIN #	COLOR
1	BROWN
2	WHITE
3	BLUE
4	BLACK

REVISIONS			
REV.	DESCRIPTION	DATE	APPROVED
A	REDRAWN IN SW	7/28/2004	



MATERIALS:	
BODY:	ANODIZED ALUMINUM
INSERT:	POLYAMIDE
CONTACTS:	GOLD PLATED COPPER ALLOY
WIRE:	22AWG UL1007 / 1569
O-RING:	NBR
LOCKNUT:	ZINC PLATED STEEL

APPROVALS:	
US	UL LISTED
CANADA	C-UL LISTED

AN O-RING AND LOCKNUT ARE INCLUDED ON LENGTHS OF 19" AND LONGER.

PROPRIETARY AND CONFIDENTIAL
 THE INFORMATION CONTAINED IN THIS DRAWING IS THE SOLE PROPERTY OF MENCOM CORPORATION. ANY REPRODUCTION IN PART OR AS A WHOLE WITHOUT THE WRITTEN PERMISSION OF MENCOM CORPORATION IS PROHIBITED.

VOLTS	300V
AMPS	4A
TEMP	105°C
SPECIFICATIONS	

UNLESS OTHERWISE SPECIFIED: DIMENSIONS ARE IN INCHES AND [MM]	NAME	BEM
	DRAWN	
	CHECKED	
	ENG APPR.	
	MFG APPR.	
MATERIAL	Q.A.	
	COMMENTS:	
FINISH		
DO NOT SCALE DRAWING		

P/N	L
MDC-4MR-2	12" [0.3m]
MDC-4MR-2-0.5M	19" [0.5m]
MDC-4MR-2-1M	40" [1m]
MDC-4MR-2-2M	79" [2m]
MDC-4MR-2-3M	118" [3m]
MDC-4MR-2-4M	157" [4m]
MDC-4MR-2-5M	197" [5m]
MDC-4MR-2-10M	393" [10m]

MENCOM CORPORATION		
TITLE:		
SIZE	DWG. NO.	REV
B	MDC-4MR-2-ZZ	A
SCALE: 2:1	WEIGHT:	SHEET 1 OF 1